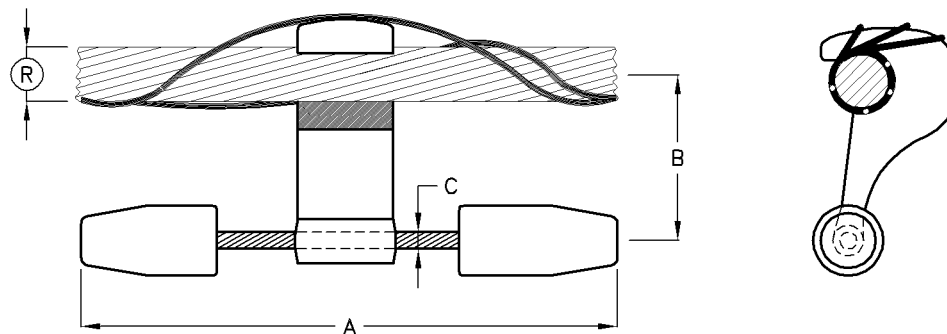


### Vibration Damper Asymmetric Type

Type No.	Catalogue No.	Conductor Range <sup>®</sup> Min.-Max.	A	B	C	Unit Weight
FR-20	H34503	6 - 15	317	56	7.5	1.70kg
FR-35	H34513	15 - 27	365	75	9.0	2.75kg
FR-40	H34523	27 - 31	514	80	11.5	4.60kg

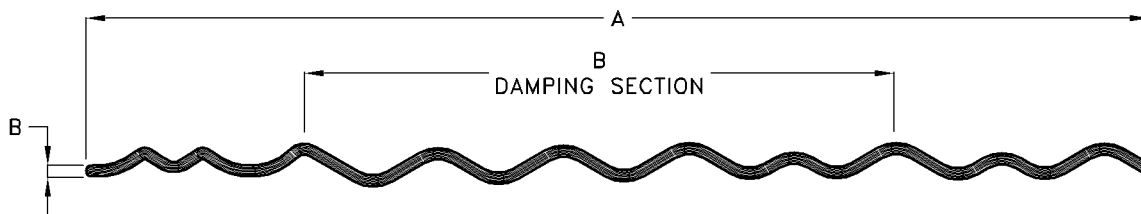
**Note:** 1) Material: Aluminium  
: Malleable Cast Iron H.D.G.



### Vibration Damper Multifrequency Type

Type No.	Catalogue No.	Conductor Range <sup>®</sup> Min.-Max.	A	B	C	Unit Weight
MRSD-5319140	B34513	16.0-20.0	370	70	9	3.20kg

**Note:** 1) Material: Aluminium  
: Malleable Cast Iron H.D.G.



### Vibration Damper Spiral Type

Type No.	Catalogue No.	Conductor Range Min.-Max.	A	B	Unit Weight
SVD-1	B39353	8.29-11.71	1300	1040	1.70kg
SVD-2	B34583	11.72-14.30	1350	1070	1.70kg

**Note:** 1) Material: Solid Polyvinyl Chloride  
2) Other conductor sizes are available on request.