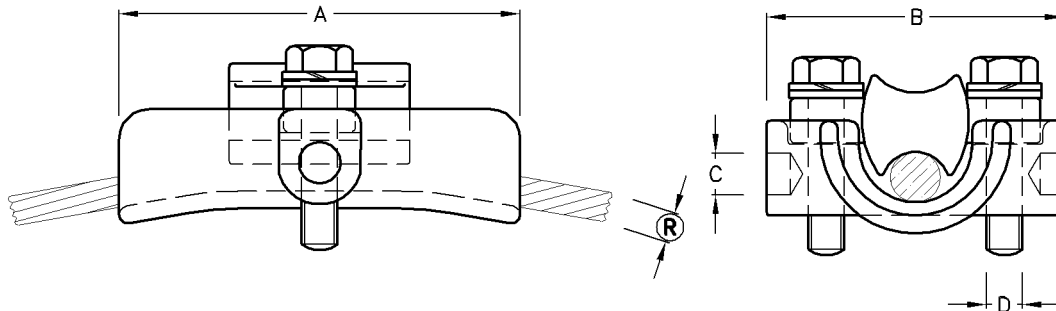


Angled Trunnion Clamp For Line Post Insulator

Type No.	Catalogue No.	CONDUCTOR [®] Min.—Max.	A	B	C	D	U.T.S (kN)	Unit Weight
ATC-13/27	C783923	13-27	134	100	∅16	M12	1.30	0.60kg
ATC-18/38	C783963	18-38	134	100	∅16	M12	1.30	0.90kg

Note: 1) Material: Cast Aluminium
: Bolts & Nuts H.T.Steel H.D.G.



Trunnion Clamp For Line Post Insulator

Type No.	Catalogue No.	CONDUCTOR [®] Min.—Max.	A	B	C	D	U.T.S (kN)	Unit Weight
TC-6/17	C783993	6-17	134	100	16	M12	1.30	0.55kg
TC-18/38	C783943	18-38	134	100	16	M12	1.30	0.75kg
TC-39/51	C783983	39-51	130	100	16	M12	1.30	0.90kg

Note: 1) Material: Cast Aluminium
: Bolts & Nuts H.T.Steel H.D.G.