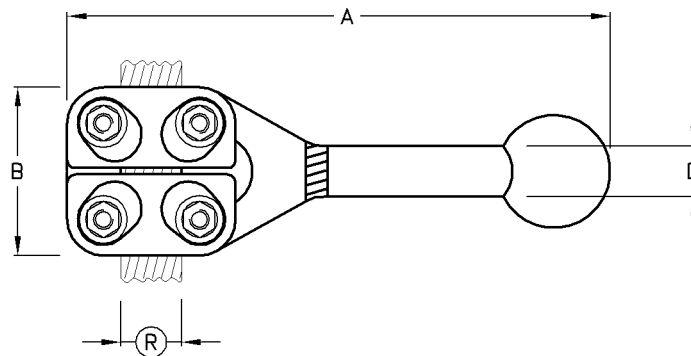


KCP-Type Pedestal Support for Conductor To 76 or 127 P.C.D Base

Type No	Catalogue No.	Conductor Ⓜ	P.C.D.	A	B	C	Max. Rating Amps	Unit Weight
KCP-26/76	C22013	26.5	76	130	95	82	900	2.10kg
KCP-26/127	C22023	26.5	127	130	95	82	900	2.50kg
KCP-38/76	C22033	38.3	76	140	105	90	1350	2.30kg
KCP-38/127	C22043	38.3	127	140	105	90	1350	2.50kg

- Note:**
- 1) Conductor contact surface areas are serrated.
 - 2) Other conductor sizes are available on request.
 - 3) Clamps are either supplied with:
 - 4 Dia. 14 Holes at 44mm centres
 - or : 4 Dia. 14 Holes at 76 P.C.D.
 - or : 8 Dia. 18 Holes at 127 P.C.D.
 - 4) Material: Cast Aluminium
: Bolts & Nuts- Steel HT.8.8 H.D.G.
 - 5) Voltage: 500kV Max.



EPC-Type Earthing Pin Clamp

Type No.	Catalogue No.	Conductor Ⓜ	A	B	D	Max. Rating Amps	Unit Weight
EPC-26	C23223	26.5	185	95	26	900	2.20kg
EPC-38	C23233	38.3	195	105	26	900	2.80kg

- Note:**
- 1) Conductor contact surface areas are serrated.
 - 2) Other conductor sizes are available on request.
 - 3) Material: Cast Aluminium
: Bolts & Nuts- Steel HT.8.8 H.D.G.
 - 4) Voltage: 500kV Max.