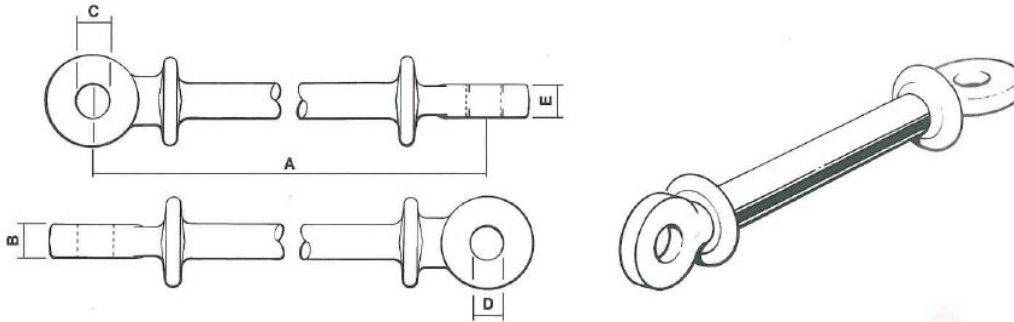


# EXTENSION LINKS – DOUBLE TONGUE TWISTED 90° HOT LINE MAINTENANCE



Catalogue No.	Dimensions					Breaking Load (kN)	Weight (kg)
	A	B	C	D	E		
977337-00	270	16	17.5	17.5	16	120	1.650
977289-00	270	20	21.5	21.5	20	210	1.700
977338-00	270	22	25.5	25.5	22	300	1.950