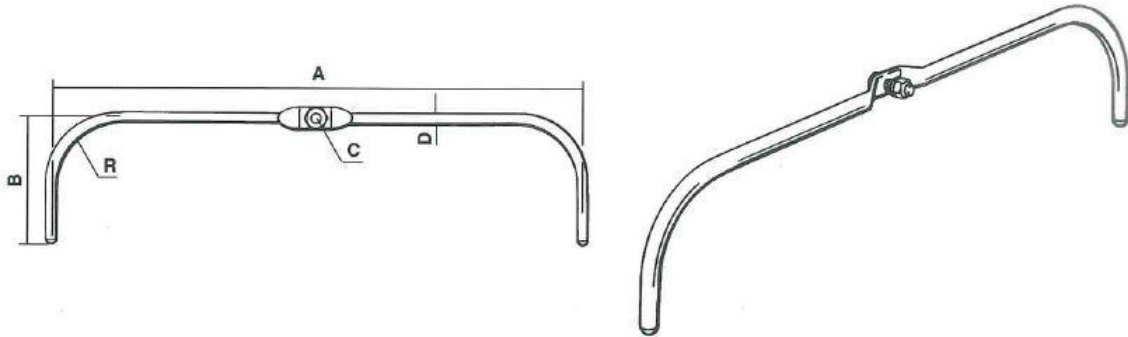


## ARCING HORNS – DOUBLE UPPER TYPE



Catalogue No.	Dimensions					Weight (kg)
	A	B	C	D	R	
878000-00	762	317	M 12	16	16	1.950
878001-00	762	237	M 12	16	16	1.834
878002-00	650	142.5	M 12	16	85	1.410
878003-00	650	203.2	M 12	16	85	1.625
878005-00	762	323	M 12	16	160	2.000
878007-00	650	81.7	M 12	16	55	1.272
878010-00	762	337	M 12	16	160	2.038
878019-00	762	350	M 12	16	160	2.059
878021-00	762	170	M 12	16	125	1.490
878030-00	762	287	M 12	16	160	1.920
878034-00	762	139.5	M 12	16	90	1.535
878035-00	762	201.5	M 12	16	160	1.718
878039-00	762	351	M 12	16	160	2.061
878040-00	762	332	M 12	16	160	2.000
878041-00	762	140	M 12	16	160	1.400
878051-00	762	337	M 12	16	160	2.022
878069-00	762	184	M 12	16	90	1.572
878077-00	762	149	M 12	16	125	1.541
878179-00	762	629	M 12	16	160	3.030
878186-00	1016	176	M 12	16	85	2.090
878197-00	1016	310	M 12	16	160	2.459
878204-00	762	167	M 12	16	125	1.600