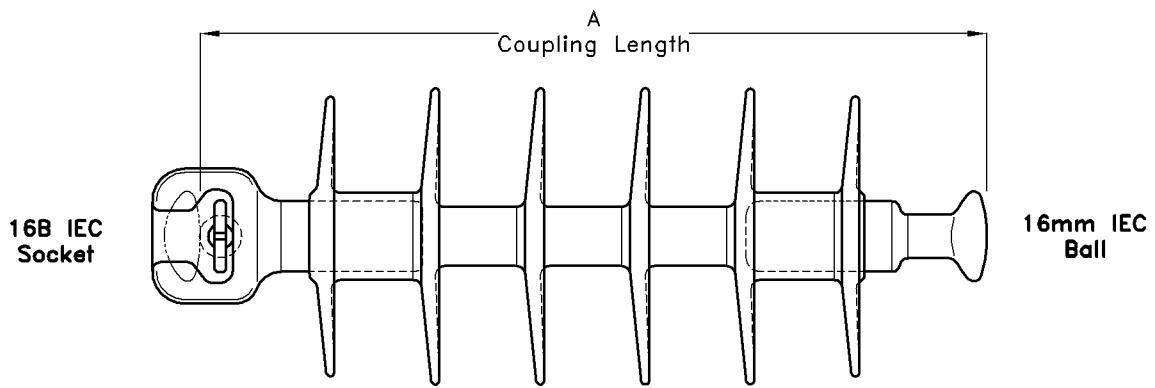




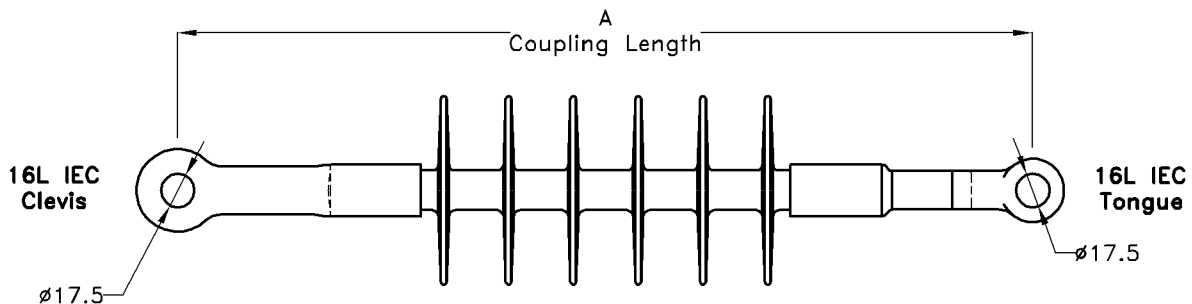
McWade
Productions

Insulators Catalogue



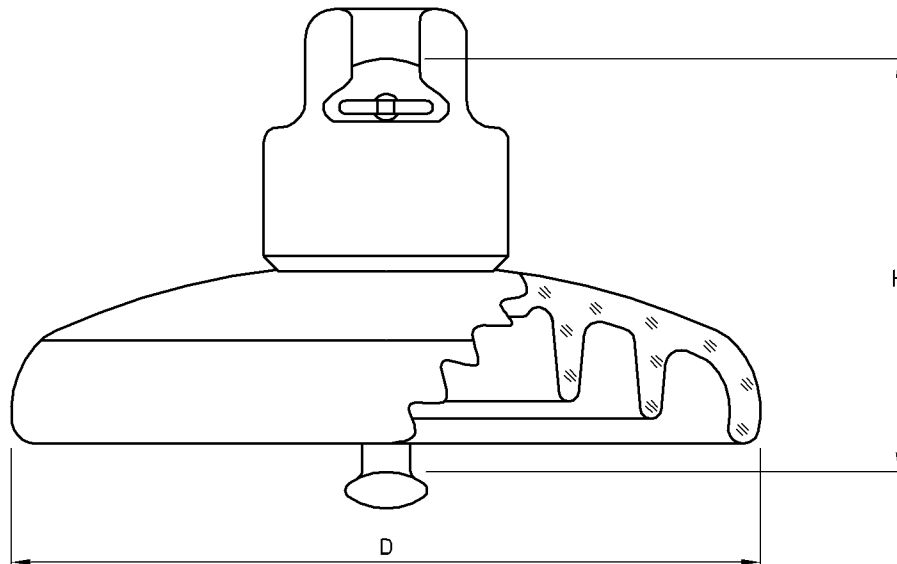
22kV 2 Disk Equivalent Composite Suspension/Strain Insulator Socket/Ball

End Fittings	Approx. Disc Equivalent By length	Catalogue Number	A	S.M.L. (kN)	Number of Sheds	Dry Arc Distance (mm)	Creepage Distance (mm)	Power Frequency Flashover Voltage		Critical Impulse Flashover Voltage		B.I.L.	Unit Weight
								Dry (kV)	Wet (kV)	Pos (kV)	Neg (kV)		
Socket/Ball	2	800601	292	70kN	6	270	644	109	75	188	235	188	1.20kg



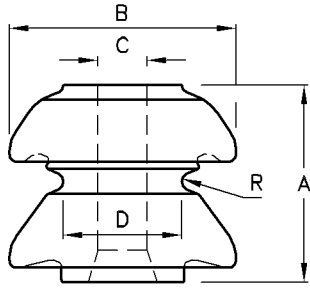
22kV Composite Suspension/Strain Insulator Clevis/Tongue

End Fittings	Catalogue Number	A	S.M.L. (kN)	Number of Sheds	Dry Arc Distance (mm)	Creepage Distance (mm)	Power Frequency Flashover Voltage		Critical Impulse Flashover Voltage		B.I.L.	Unit Weight
							Dry (kV)	Wet (kV)	Pos (kV)	Neg (kV)		
Clevis/Tongue	700602	444	40	6	242	602	128	85.9	187	187	187	1.00kg
Clevis/Tongue Twisted	700609	444	40	6	242	602	128	85.9	187	187	187	1.00kg
Clevis/Tongue	400602	444	70	6	235	600	125	78	202	211	202	1.36kg

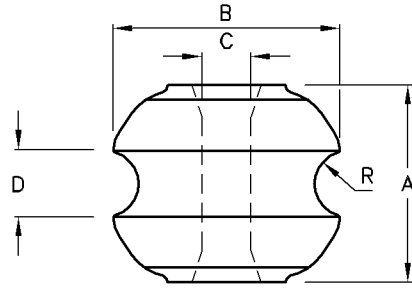


Toughened Glass Insulator Socket/Ball Type

Type No	Catalogue Number	Nominal Diameter D	Nominal Spacing H	Nominal Creepage Distance	Standard Coupling I.E.C.	U.T.S. (kN)	Impulse Withstand Voltage Positive	Impulse Withstand Voltage Negative	Power Frequency Withstand Voltage Wet	Power Frequency Puncture Voltage	Unit Weight
U70BL	B940013	255	146	305	16	70	100kV	103kV	43kV	110kV	3.70kg
U120BS	B940023	255	146	305	16	120	100kV	103kV	43kV	110kV	4.00kg
U210B	B940033	280	170	380	20	210	110kV	110kV	45kV	130kV	7.00kg
U300BS	B940143	320	195	485	24	300	130kV	130kV	50kV	130kV	10.9kg

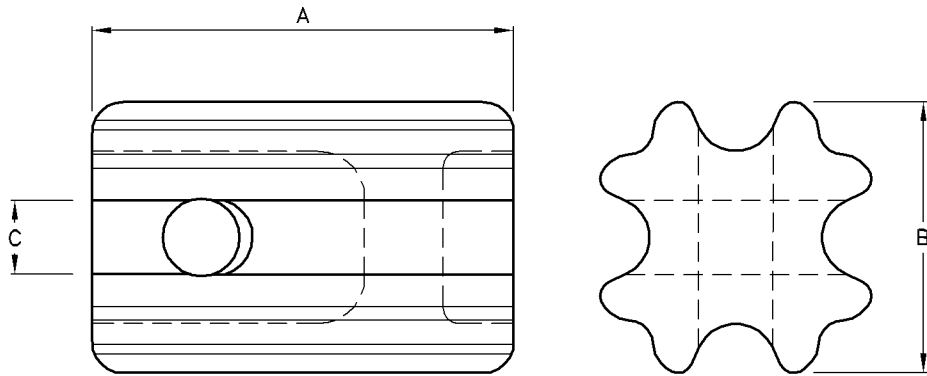


**Shackle Insulator
Porcelain
Up To 1000V**



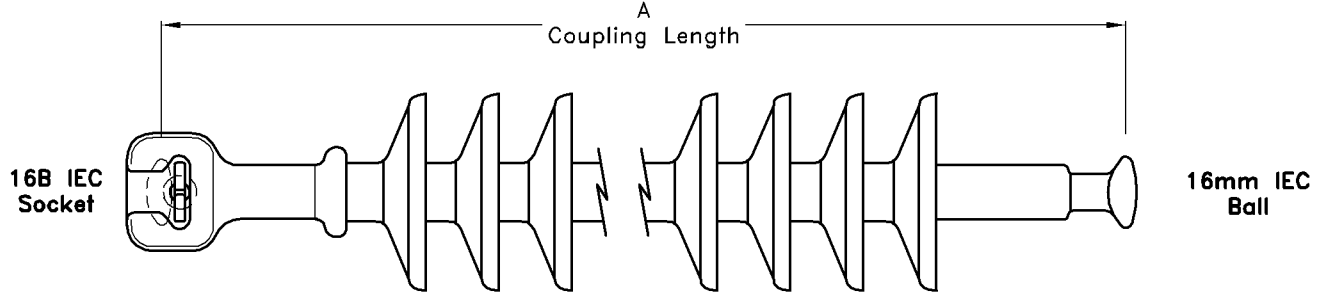
**Reel Insulator
Porcelain (BME194)
Up To 1000V**

Type No	Catalogue Number	A	B	C	D	R	Dry Withstand Voltage (kV)	Wet Withstand Voltage (kV)	Puncture Voltage (kV)	U.T.S. (kN)	Unit Weight
BME-03	B933453	57	63	11	35	5	17	8	25	6.25	0.23kg
BME-05	B933243	75	88	17	41	8	22	11	33	17.8	0.16kg
BME-01	B933303	88	100	26	18	13	26	14	39	17.8	0.80kg
BME-02	B940153	100	130	32	21	16	35	19	52	22.25	1.30kg
BME194	B933233	75	88	25	21	12.5	N/A	N/A	N/A	N/A	0.75kg



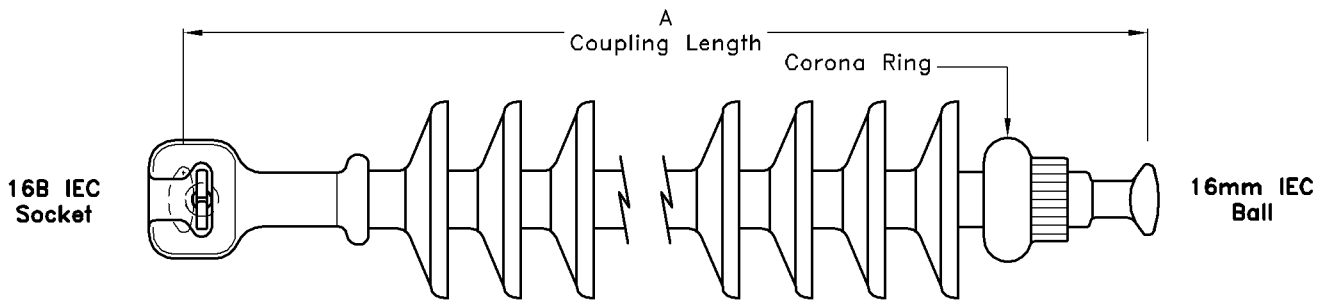
**Stay Insulator
Porcelain**

Type No	Catalogue Number	A	B	C	Dry Withstand Voltage (kV)	Wet Withstand Voltage (kV)	Leakage (mm)	Mechanical Strength (kN)	Unit Weight
BME-LV	B933322	95	57	19	30	20	48	45	0.50kg
BME-MV	B933253	136	85	19	35	30	63	110	1.54kg



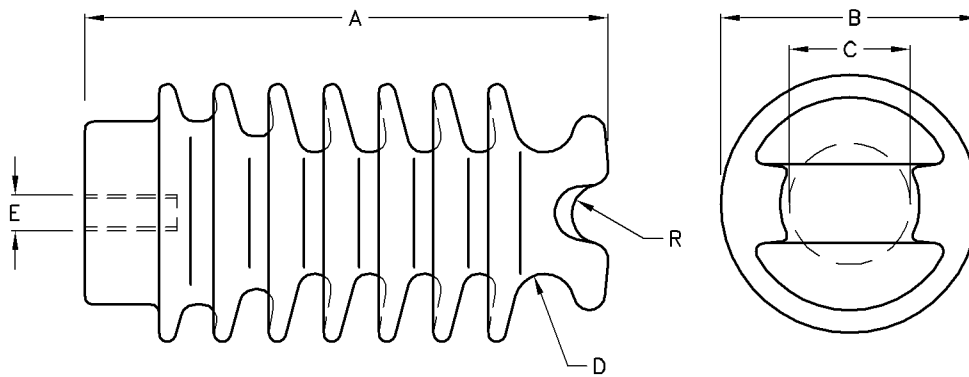
11 To 44kV 40kN Composite Suspension/Strain Insulator Socket/Ball

Section Guide Typical Line Voltage (kV)				Approx. Disc Equivalent By length	Catalogue Number	A	Number of Sheds	Dry Arc Distance (mm)	Creepage Distance (mm)	Power Frequency Flashover Voltage		Critical Impulse Flashover Voltage		B.I.L.	Unit Weight
11	22	33	44							Dry (kV)	Wet (kV)	Pos (kV)	Neg (kV)		
✓					710201	237	2	119	187	57	27	155	100	90	1.60kg
✓					710301	272	3	152	281	72	39	177	135	121	1.70kg
✓	✓			2	710401	307	4	186	375	85	51	195	165	148	1.80kg
	✓				710501	342	5	219	469	98	63	218	188	176	1.90kg
	✓				710601	372	6	252	563	111	76	237	210	196	2.00kg
	✓	✓		3	710801	437	8	319	751	136	101	267	245	225	2.10kg
		✓			710901	471	9	352	845	148	113	285	265	241	2.20kg
		✓	✓		711201	572	12	452	1127	181	151	333	319	282	2.50kg
			✓	4	711301	605	13	485	1221	200	163	348	335	295	2.60kg



66 To 132kV 40kN Composite Suspension/Strain Insulator Socket/Ball

Section Guide Typical Line Voltage (kV)				Approx. Disc Equivalent By length	Catalogue Number	A	Number of Sheds	Dry Arc Distance (mm)	Creepage Distance (mm)	Power Frequency Flashover Voltage		Critical Impulse Flashover Voltage		B.I.L.	Unit Weight
66	88	132	Dry (kV)							Wet (kV)	Pos (kV)	Neg (kV)			
✓				5	711621	731	16	566	1523	221	204	370	349	314	3.00kg
✓					711721	764	17	633	1617	245	214	407	390	390	3.10kg
✓					712021	872	20	699	1903	276	256	455	438	398	3.40kg
✓				6	712121	899	21	733	1997	290	269	476	460	414	3.50kg
✓	✓			7	712521	1033	25	866	2373	343	321	560	547	493	3.90kg
	✓				712721	1101	27	932	2561	370	347	602	591	532	4.10kg
	✓			8	712921	1168	29	999	2749	396	373	644	634	571	4.30kg
		✓			713321	1309	33	1132	3124	447	424	727	721	658	4.70kg
		✓		9	713421	1336	34	1165	3218	460	437	747	742	668	4.80kg
		✓		10	713821	1471	38	1330	3529	483	421	829	827	798	5.20kg
		✓		11	714221	1605	42	1432	3970	558	540	910	912	821	5.60kg

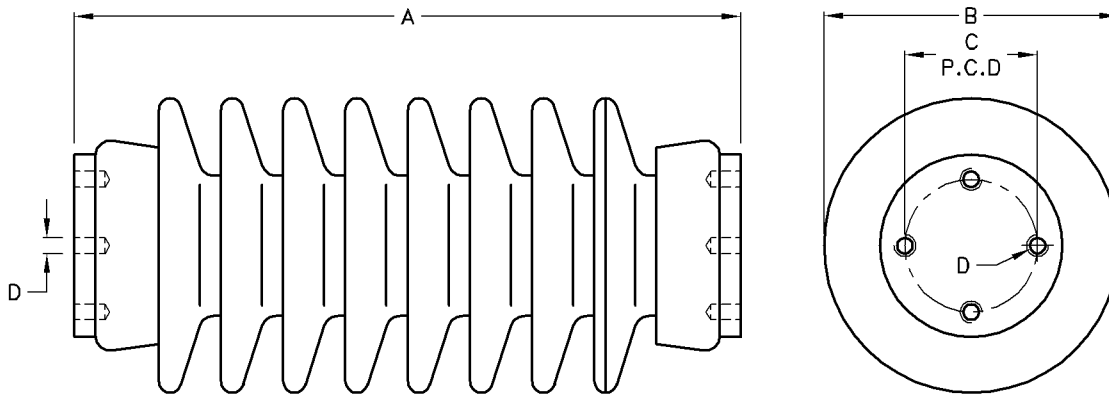


Line Post Porcelain Insulator

Type No	Catalogue Number	A	B	C	D	E	R	Creepage Distance (mm)	Power Frequency Flashover Voltage		Critical Impulse Flashover Voltage		B.I.L.	Unit Weight
									Dry (kV)	Wet (kV)	Pos (kV)	Neg (kV)		
BME472-3/22kV	B90161	315	155	73	18	M20	18	630	124	84	187	362	183	8.65kg
BME967-00/22kV	B90171	343	150	73	20	M20	18	750	109	86	191	342	170	9.30kg

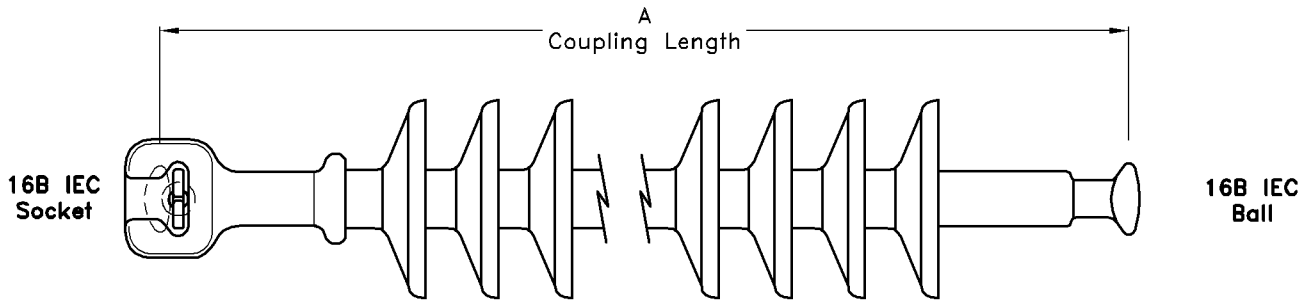
57-3S/33kV-50	B90031	430	180	73	25	M20	25	900	150	125	255	340	183	16.0kg
57-3S/33kV-230	B90111	430	189	73	25	M20	25	900	150	125	255	340	170	16.0kg
57-4/33kV-230	B90151	430	189	73	25	M20	25	1100	150	125	255	340	170	16.0kg

- Note:** 1) 33kV Insulators are supplied with spindles complete with nut, flat and spring washer.
2) Spindles length to be specified on order.



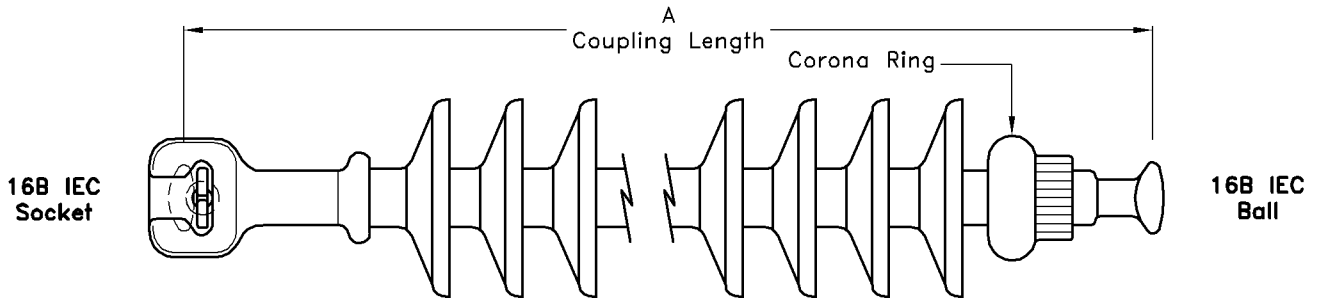
Station Post Porcelain Insulator 11kV To 132kV-4kN

Type No	Catalogue Number	A	B	C	D	Creepage Distance (mm)	Power Frequency Flashover Voltage		Critical Impulse Flashover Voltage		B.I.L.	Unit Weight
							Dry (kV)	Wet (kV)	Pos (kV)	Neg (kV)		
C4-95/BME322-03/11kV	B932693	255	170	76	M12	380	86	60	151	215	146	6.60kg
C4-150/BME568-01/22kV	B932703	355	184	76	M12	680	98	81	190	304	181	11.5kg
C4-200/BME814/33kV	B932713	475	194	76	M12	1100	170	129	254	375	239	15.5kg
C4-250/BME314-05/44kV	B932723	560	194	76	M12	1300	150	105	275	350	250	22.0kg
C4-325/BME315-00/66kV	B932733	770	200	127	M16	2561	200	170	350	500	325	31.9kg
C4-380/BME316-05/88kV	B932743	870	210	127	M16	2000	200	225	400	550	380	46.0kg
C4-550/BME318-10/132kV	B933183	1220	218	127	M16	3050	369	331	667	828	634	47.2kg
C4-650/BME310-00/132kV	B932773	1500	234	127	M16	3750	464	379	770	948	750	82.4kg



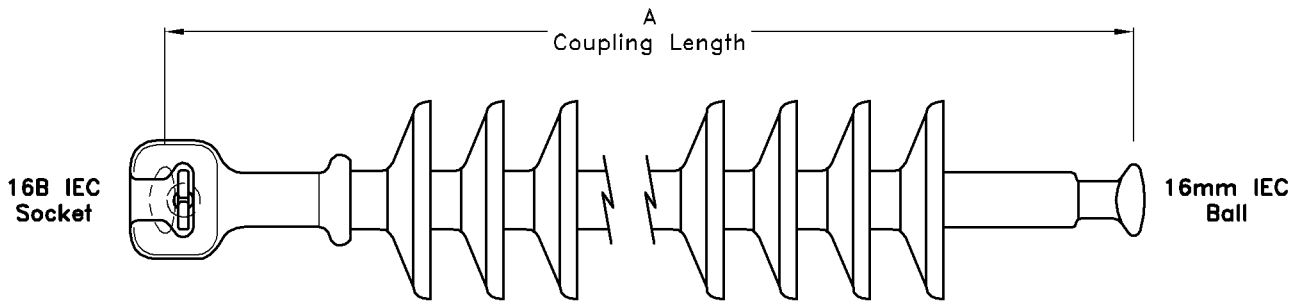
11 To 44kV 70kN Composite Suspension/Strain Insulator Socket/Ball

Section Guide Typical Line Voltage (kV)				Approx. Disc Equivalent By length	Catalogue Number	A	Number of Sheds	Dry Arc Distance (mm)	Creepage Distance (mm)	Power Frequency Flashover Voltage		Critical Impulse Flashover Voltage		B.I.L.	Unit Weight
11	22	33	44							Dry (kV)	Wet (kV)	Pos (kV)	Neg (kV)		
✓					810201	237	2	119	187	57	27	155	100	90	1.60kg
✓					810301	272	3	152	281	72	39	177	135	121	1.70kg
✓	✓			2	810401	307	4	186	375	85	51	195	165	148	1.80kg
	✓				810501	342	5	219	469	98	63	218	188	176	1.90kg
	✓				810601	372	6	252	563	111	76	237	210	196	2.00kg
	✓	✓		3	810801	437	8	319	751	136	101	267	245	225	2.10kg
		✓			810901	471	9	352	845	148	113	285	265	241	2.20kg
		✓	✓		811201	572	12	452	1127	181	151	333	319	282	2.50kg
			✓	4	811301	605	13	485	1221	200	163	348	335	295	2.60kg



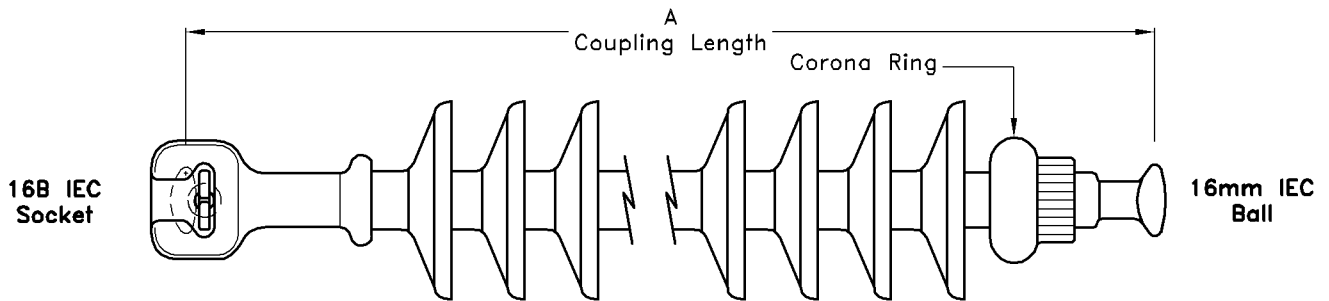
66 To 132kV 70kN Composite Suspension/Strain Insulator Socket/Ball

Section Guide Typical Line Voltage (kV)				Approx. Disc Equivalent By length	Catalogue Number	A	Number of Sheds	Dry Arc Distance (mm)	Creepage Distance (mm)	Power Frequency Flashover Voltage		Critical Impulse Flashover Voltage		B.I.L.	Unit Weight
66	88	132	Dry (kV)							Wet (kV)	Pos (kV)	Neg (kV)			
✓				5	811621	731	16	566	1523	221	204	370	349	314	3.00kg
✓				6	812121	899	21	733	1997	290	269	476	460	414	3.50kg
✓	✓			7	812521	1033	25	866	2373	343	321	560	547	493	3.90kg
	✓				812721	1101	27	932	2561	370	347	602	591	532	4.10kg
	✓			8	812921	1168	29	999	2749	396	373	644	634	571	4.30kg
		✓		9	813421	1336	34	1165	3218	460	437	747	742	668	4.80kg
		✓		10	813821	1471	38	1330	3529	483	421	829	827	798	5.20kg
			✓	11	814221	1605	42	1432	3970	558	540	910	912	821	5.60kg



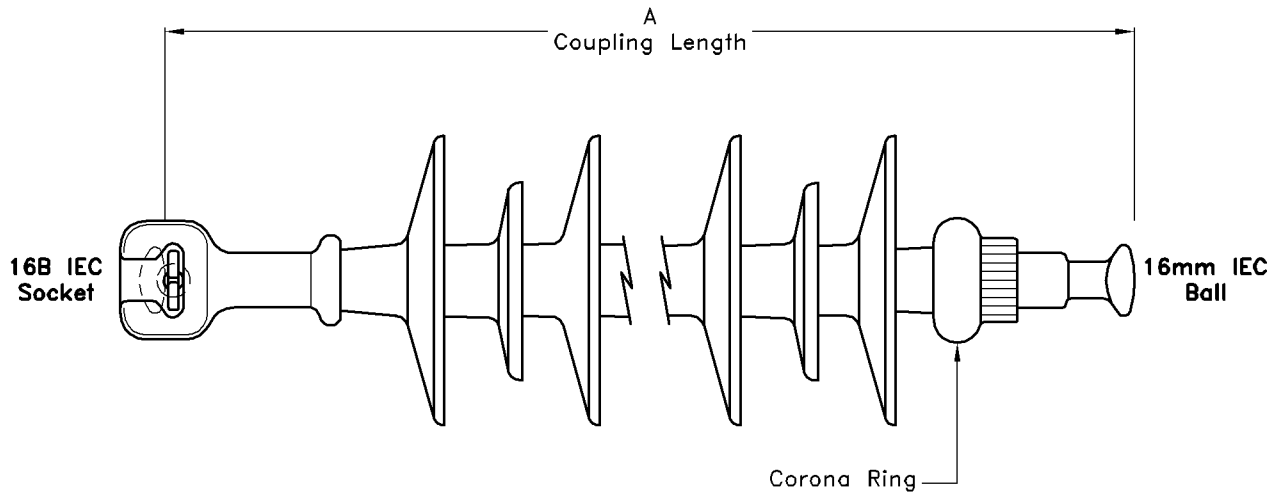
33 To 44kV 120kN Composite Suspension/Strain Insulator Socket/Ball

Section Typical Voltage	Guide Line Voltage (kV)		Approx. Disc Equivalent By length	Catalogue Number	A	Number of Sheds	Dry Arc Distance (mm)	Creepage Distance (mm)	Power Frequency Flashover Voltage		Critical Impulse Flashover Voltage		B.I.L.	Unit Weight
	33	44							Dry (kV)	Wet (kV)	Pos (kV)	Neg (kV)		
✓			3	820604	443	6	298	657	120	87	255	225	203	3.40kg
✓				820804	517	8	372	875	153	116	289	271	244	3.60kg
✓	✓		4	821004	595	10	450	1094	184	146	329	315	284	3.90kg
	✓			821204	672	12	527	1312	213	175	363	352	317	4.20kg
	✓		5	821404	749	14	604	1531	240	205	400	383	345	4.50kg



66 To 132kV 120kN Composite Suspension/Strain Insulator Socket/Ball

Section Typical Voltage	Guide Line Voltage (kV)			Approx. Disc Equivalent By length	Catalogue Number	A	Number of Sheds	Dry Arc Distance (mm)	Creepage Distance (mm)	Power Frequency Flashover Voltage		Critical Impulse Flashover Voltage		B.I.L.	Unit Weight
	66	88	132							Dry (kV)	Wet (kV)	Pos (kV)	Neg (kV)		
					820924	584	9	411	1015	170	131	309	295	266	4.00kg
✓			5	821324	738	13	558	1443	226	190	377	369	332	4.50kg	
✓			6	821724	885	17	705	1880	273	254	451	433	390	5.20kg	
	✓		7	822124	1046	21	873	2447	316	262	547	534	481	5.80kg	
	✓		8	822424	1161	24	981	2645	380	359	619	609	548	6.20kg	
	✓	✓	9	822824	1316	28	1136	3082	439	419	714	708	637	6.80kg	
		✓	10	823324	1491	33	1320	3818	433	413	832	830	739	7.50kg	
		✓	11	823624	1624	36	1444	3955	553	538	902	903	813	8.00kg	



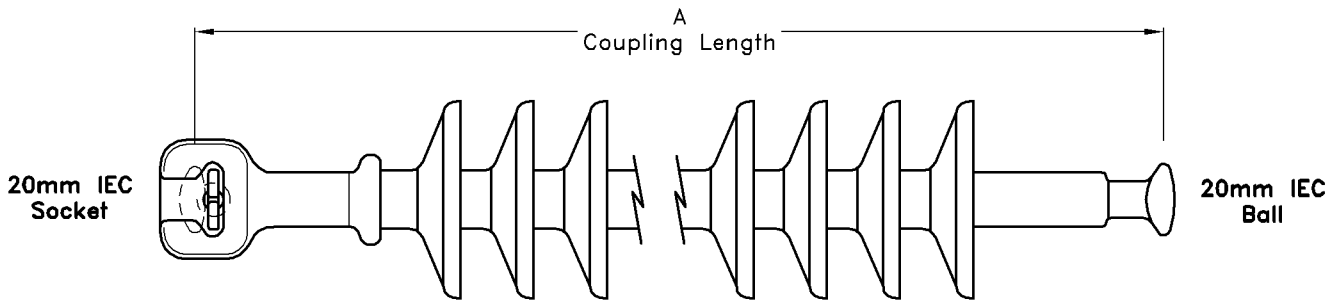
**22 To 132kV 120kN Composite High-Creepage
Suspension/Strain Insulator
Socket/Ball**

Section Guide Typical Line Voltage (kV)			Approx. Disc Equivalent By length	Catalogue Number	A	Number of Sheds		Dry Arc Distance (mm)	Creepage Distance (mm)	Power Frequency Flashover Voltage		Critical Impulse Flashover Voltage		B.I.L.	Unit Weight
22	33	66				S	L			Dry (kV)	Wet (kV)	Pos (kV)	Neg (kV)		
✓			3	020604	443	4	2	343	767	120	87	255	225	203	3.60kg
	✓		4	030924	584	6	3	425	1155	170	131	309	295	266	4.00kg
		✓	5	071324	738	6	7	613	1815	226	190	377	369	332	4.30kg
		✓	6	021724	885	15	2	760	1980	273	254	451	433	390	5.40kg
		✓	6	091724	885	8	9	760	2365	273	254	451	433	390	5.40kg
		✓	6	071724	885	10	7	760	2255	273	254	451	433	390	5.40kg

Section Guide Typical Line Voltage (kV)		Approx. Disc Equivalent By length	Catalogue Number	A	Number of Sheds		Dry Arc Distance (mm)	Creepage Distance (mm)	Power Frequency Flashover Voltage		Critical Impulse Flashover Voltage		B.I.L.	Unit Weight
88	132				S	L			Dry (kV)	Wet (kV)	Pos (kV)	Neg (kV)		
✓		8	062424	1161	18	6	1031	2970	380	359	619	609	548	6.40kg
✓		8	082424	1161	16	8	1031	3080	380	359	619	609	548	7.30kg
	✓	10	163324	1491	17	16	1365	4510	433	413	832	830	739	8.00kg
	✓	11	093624	1624	27	9	760	4455	553	538	902	903	813	8.40kg
	✓		083724	1663	29	8	1538	4510	577	553	942	944	850	8.20kg
	✓	12	043924	1740	35	4	1560	4510	604	582	988	993	894	8.60kg

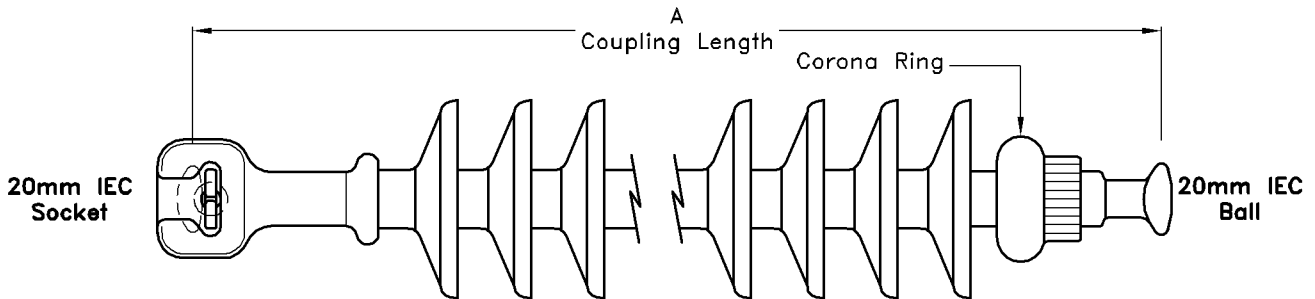
**132kV 120kN Composite High-Creepage
Suspension/Strain Insulator
20mm Socket/Ball**

Section Guide Typical Line Voltage (kV)	Approx. Disc Equivalent By length	Catalogue Number	A	Number of Sheds		Dry Arc Distance (mm)	Creepage Distance (mm)	Power Frequency Flashover Voltage		Critical Impulse Flashover Voltage		B.I.L.	Unit Weight
132				S	L			Dry (kV)	Wet (kV)	Pos (kV)	Neg (kV)		
✓		163321	1506	17	16	1327	4532	511	494	832	830	830	8.00kg



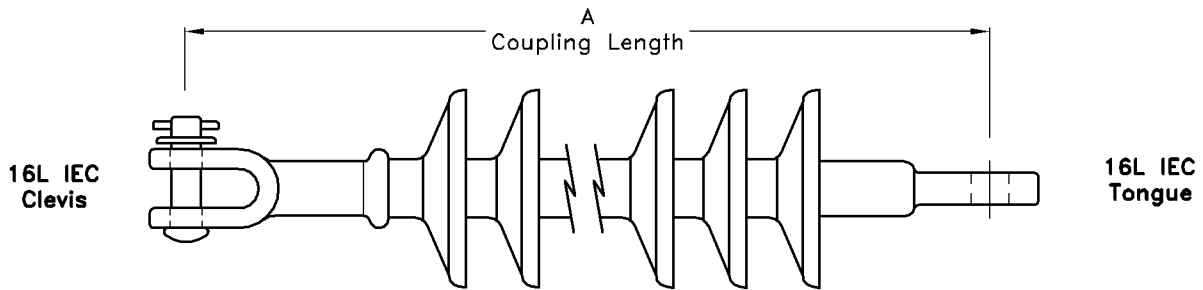
33 To 44kV 120kN Composite Suspension/Strain Insulator Socket/Ball

Section Typical Voltage (kV)	Guide Line Voltage (kV)		Approx. Disc Equivalent By length	Catalogue Number	A	Number of Sheds	Dry Arc Distance (mm)	Creepage Distance (mm)	Power Frequency Flashover Voltage		Critical Impulse Flashover Voltage		B.I.L.	Unit Weight
	33	44							Dry (kV)	Wet (kV)	Pos (kV)	Neg (kV)		
✓			3	820601	456	6	298	657	120	87	255	225	203	3.50kg
✓				820801	530	8	372	875	153	116	289	271	244	3.70kg
✓	✓		4	821001	608	10	450	1094	184	146	329	315	284	4.00kg
	✓			821201	685	12	527	1312	213	175	363	352	317	4.30kg
	✓		5	821301	723	13	565	1421	226	190	377	369	332	4.50kg



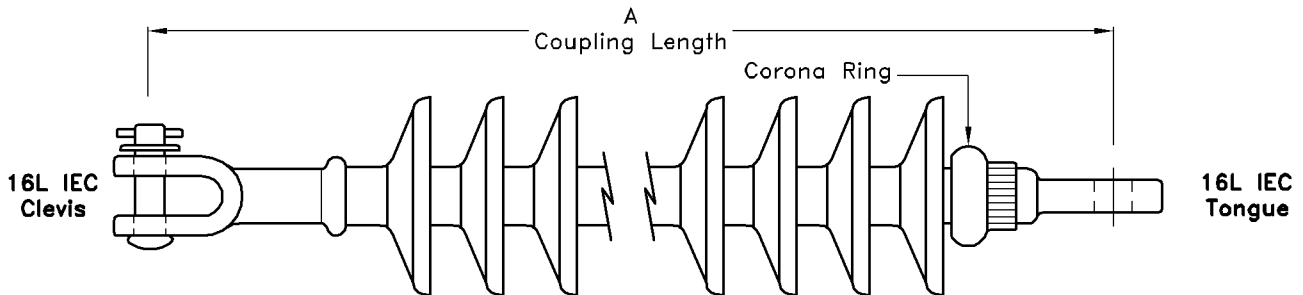
66 To 132kV 120kN Composite Suspension/Strain Insulator Socket/Ball

Section Typical Voltage (kV)	Guide Line Voltage (kV)		Approx. Disc Equivalent By length	Catalogue Number	A	Number of Sheds	Dry Arc Distance (mm)	Creepage Distance (mm)	Power Frequency Flashover Voltage		Critical Impulse Flashover Voltage		B.I.L.	Unit Weight
	66	88							132	Dry (kV)	Wet (kV)	Pos (kV)		
✓			5	821321	751	13	558	1443	226	190	377	369	332	4.60kg
✓			6	821721	898	17	705	1880	273	254	451	433	390	5.30kg
✓	✓		7	822021	1020	20	827	2208	320	299	523	509	458	5.80kg
	✓		8	822421	1174	24	981	2645	380	359	619	609	548	6.30kg
	✓	✓	9	822821	1329	28	1136	3082	439	419	714	708	637	6.90kg
		✓	10	823321	1504	33	1320	3818	433	413	832	830	793	7.60kg
		✓	11	823521	1599	35	1406	3846	539	523	878	879	791	8.00kg



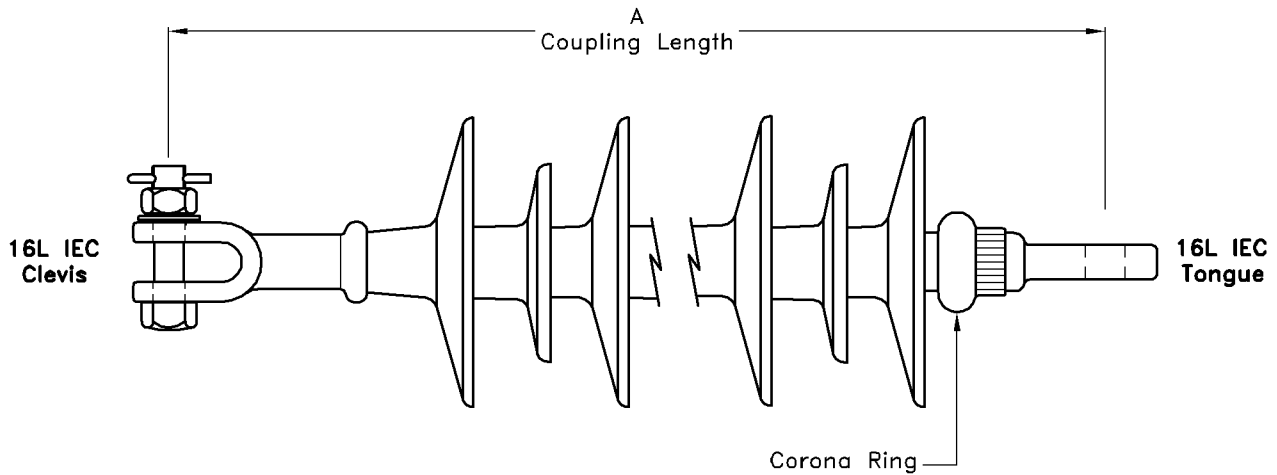
11 To 44kV 70kN Composite Suspension/Strain Insulator Clevis/Tongue

Section	Guide Typical Line Voltage (kV)			Approx. Disc Equivalent By length	Catalogue Number	A	Number of Sheds	Dry Arc Distance (mm)	Creepage Distance (mm)	Power Frequency Flashover Voltage		Critical Impulse Flashover Voltage		B.I.L.	Unit Weight
	11	22	33							44	Dry (kV)	Wet (kV)	Pos (kV)		
✓					810202	252	2	119	187	57	27	155	100	90	1.60kg
✓					810302	287	3	152	281	72	39	177	135	121	1.70kg
✓	✓			2	810402	322	4	186	375	85	51	195	165	148	1.80kg
	✓				810502	357	5	219	469	98	63	218	188	176	1.90kg
	✓				810602	387	6	252	563	111	76	237	210	196	2.00kg
	✓	✓		3	810802	452	8	319	751	136	101	267	245	225	2.10kg
		✓			810902	486	9	352	845	148	113	285	265	241	2.20kg
		✓	✓	4	811202	587	12	452	1127	187	151	333	319	282	2.50kg
			✓		811302	620	13	485	1221	200	163	348	335	295	2.60kg
			✓	5	811702	755	17	618	1597	245	214	407	390	349	3.10kg



66 To 132kV 70kN Composite Suspension/Strain Insulator Clevis/Tongue

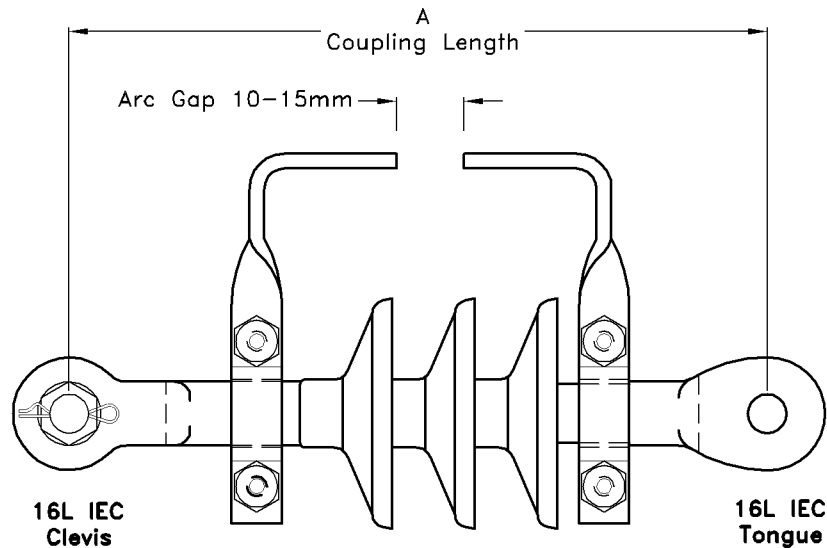
Section	Guide Typical Line Voltage (kV)			Approx. Disc Equivalent By length	Catalogue Number	A	Number of Sheds	Dry Arc Distance (mm)	Creepage Distance (mm)	Power Frequency Flashover Voltage		Critical Impulse Flashover Voltage		B.I.L.	Unit Weight
	66	88	132							Dry (kV)	Wet (kV)	Pos (kV)	Neg (kV)		
✓				5	811622	746	16	566	1523	221	204	370	349	314	3.00kg
✓				6	812022	880	20	699	1903	276	256	455	438	394	3.40kg
✓	✓			7	812422	1015	24	833	2279	330	308	539	526	473	3.80kg
	✓				812722	1116	27	932	2561	370	347	602	591	532	4.10kg
		✓		8	812922	1183	29	999	2749	396	373	644	634	571	4.30kg
			✓	9	813322	1317	33	1132	3124	447	424	727	721	649	4.70kg
			✓	10	813722	1452	37	1265	3500	497	476	809	806	726	5.10kg
			✓		813822	1486	38	1330	3529	483	421	829	827	798	5.20kg
			✓	11	814222	1620	42	1432	3970	558	540	910	912	821	5.60kg



**22 To 132kV 120kN Composite High-Creepage
Suspension/Strain Insulator
Clevis/Tongue**

Section Guide Typical Line Voltage (kV)			Approx. Disc Equivalent By length	Catalogue Number	A	Number of Sheds		Dry Arc Distance (mm)	Creepage Distance (mm)	Power Frequency Flashover Voltage		Critical Impulse Flashover Voltage		B.I.L.	Unit Weight
22	33	66				S	L			Dry (kV)	Wet (kV)	Pos (kV)	Neg (kV)		
✓			3	020608	483	4	2	343	767	120	87	255	225	203	3.60kg
	✓		4	030928	599	6	3	486	1155	170	131	309	295	266	4.10kg
		✓	5	071328	753	6	7	603	1815	226	190	377	369	332	4.50kg
		✓	6	021728	900	15	2	760	1980	273	254	451	433	390	6.00kg
		✓	6	091728	900	8	9	760	2365	273	254	451	433	390	6.20kg

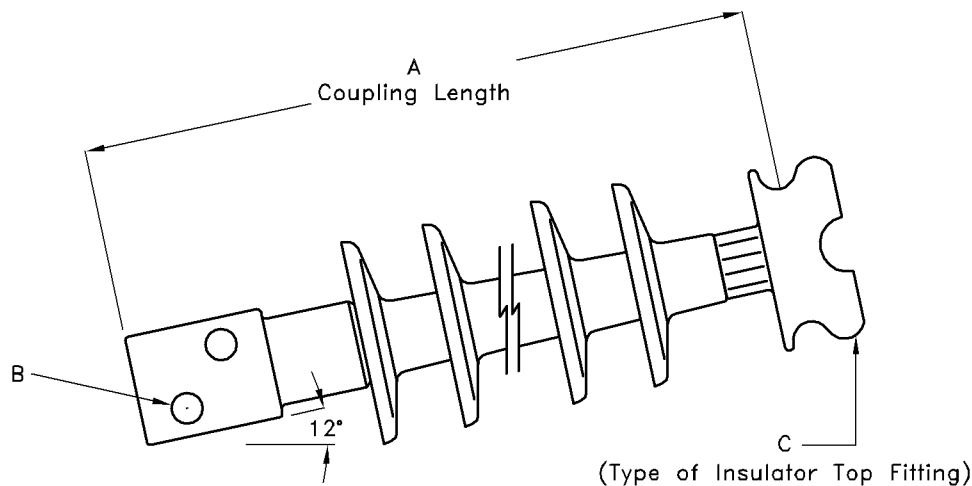
Section Guide Typical Line Voltage (kV)			Approx. Disc Equivalent By length	Catalogue Number	Section Length A(mm)	Number of Sheds		Dry Arc Distance (mm)	Creepage Distance (mm)	Power Frequency Flashover Voltage		Critical Impulse Flashover Voltage		B.I.L.	Unit Weight
88	132	S				L	Dry (kV)			Wet (kV)	Pos (kV)	Neg (kV)			
✓			8	062428	1189	18	6	1026	2970	380	359	619	609	548	6.40kg
✓			8	082428	1189	16	8	1026	3080	380	359	619	609	548	7.30kg
	✓		10	163328	1485	17	16	1320	3818	433	413	832	830	793	8.20kg
	✓		11	093628	1639	27	9	760	4455	553	538	902	908	813	8.20kg
	✓			083728	1677	29	8	1538	4510	577	553	942	944	850	8.28kg
	✓		12	043928	1754	35	4	1560	4510	604	582	988	993	894	8.60kg



Earth Wire Strain/Suspension Insulator

End Fitting and Orientation	Catalogue Number	A	S.M.L. (kN)	Number of Sheds	Creepage Distance (mm)	Power Frequency Flashover Voltage		Critical Impulse Flashover Voltage		B.I.L.	Unit Weight
						Dry (kV)	Wet (kV)	Pos (kV)	Neg (kV)		
Socket/Ball	600301	264	70	3	281	72	39	177	135	121	2.30kg
Clevis/Tongue	600302	279	70	3	281	72	39	177	135	121	2.30kg
Twisted Clevis/Tongue	600303	279	70	3	281	72	39	177	135	121	2.30kg
Clevis/Clevis	600304	277	70	3	281	72	39	177	135	121	2.30kg
Twisted Clevis/clevis	600305	277	70	3	281	72	39	177	135	121	2.30kg
Tongue/Tongue	600306	281	70	3	281	72	39	177	135	121	2.30kg
Twisted Tongue/Tongue	600307	281	70	3	281	72	39	177	135	121	2.30kg

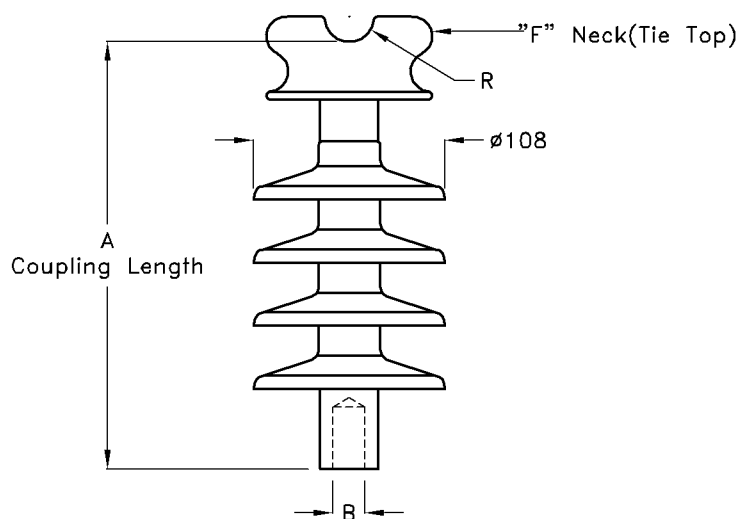
Socket/Ball	500304	291	120	3	329	82	45	190	157	141	3.10kg
Clevis/Tongue	500308	342	120	3	329	82	45	190	157	141	3.10kg
Twisted Clevis/Tongue	50030A	342	120	3	329	82	45	190	157	141	3.10kg
Clevis/Clevis	50030B	348	120	3	329	82	45	190	157	141	3.10kg
Twisted Clevis/clevis	50030G	277	120	3	329	82	45	190	157	141	3.10kg
Tongue/Tongue	50030E	336	120	3	329	82	45	190	157	141	3.10kg
Twisted Tongue/Tongue	50030H	336	120	3	329	82	45	190	157	141	3.10kg



33kV 4kN Composite Line Post Insulator Horizontal/Vertical

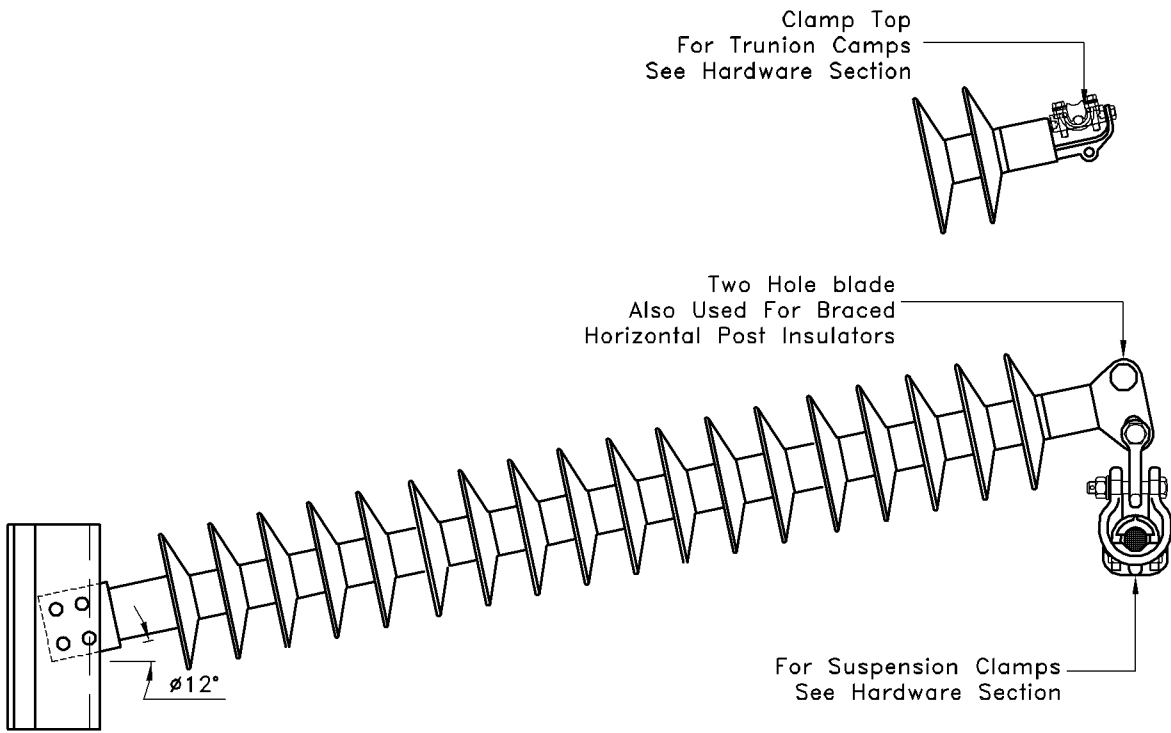
Line Voltage (kV)	Catalogue Number	A	B \varnothing	C	S.M.L. (kN)	Number of Sheds	Dry Arc Distance (mm)	Creepage Distance (mm)	Power Frequency Flashover Voltage		Critical Impulse Flashover Voltage		B.I.L.	Unit Weight
									Dry (kV)	Wet (kV)	Pos (kV)	Neg (kV)		
33														
✓	830741	530	16.8	F-Neck	4	7	497	1050	180	140	325	313	280	7.00kg
✓	830744	659	16.8	Clamp Top	4	7	658	1050	180	140	325	313	280	7.20kg
✓	830745	530	16.8	2 Hole Blade	4	7	530	1050	180	140	325	313	280	7.00kg

Note: 1) Clamp Top Insulators are not supplied with with trunion clamps. See Hardware Section.

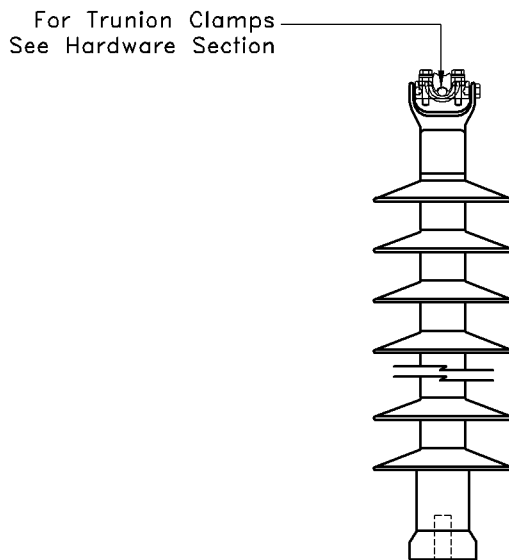


22kV 4kN Composite Line Post Insulator Horizontal/Vertical

Section Guide Typical Line Voltage (kV)	Catalogue Number	A	B	S.M.L. (kN)	Number of Sheds	Dry Arc Distance (mm)	Creepage Distance (mm)	Power Frequency Flashover Voltage		Critical Impulse Flashover Voltage		B.I.L.	Unit Weight
								Dry (kV)	Wet (kV)	Pos (kV)	Neg (kV)		
22													
✓	820406	262	M20	4	4	212	421	90	66	151	259	151	1.70kg



**Horizontal Post Insulator
With Clamp Top or Two Hole Blade
From 66kV To 145kV**



**Vertical Post Insulator
From 66kV To 145kV**