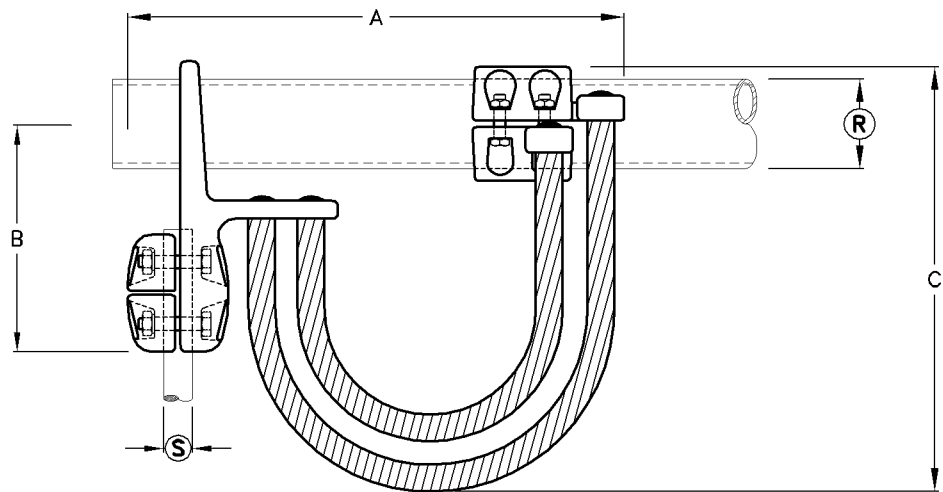


TYPE: A



TYPE: B

TBXS/O-Type Off-Set Horizontal/Vertical Stud Mounted Expansion Clamp

Type No	Catalogue No.	Tube Dia. Ⓜ	Stud Dia. Ⓢ	Type	A	B	C	Max. Rating Amps.	Unit Weight
TBXS0-80/26	C24133	80	26	B	286	260	330	1600	6.30kg
TBXS0-80/26	C24143	80	26	A	266	120	330	1600	6.50kg
TBXS0-80/38	C24163	80	38	B	286	285	330	2300	6.50kg
TBXS0-80/38	C24173	80	38	A	266	120	330	2300	6.70kg
TBXS0-100/38	C25853	100	38	A	415	120	355	2500	14.3kg
TBXS0-120/38	C26003	120	38	A	415	120	355	2500	15.1kg

- Note:**
- 1) The busbar contact surface areas are serrated.
 - 2) Stud contact surface areas are smooth bore.
 - 3) Current rating to be specified when ordering.
 - 4) Other stud sizes are available on request.
 - 5) Material: Cast Aluminium
: Bolts & Nuts are Steel HT.8.8. H.D.G. (Other materials and grades available on request)
 - 6) Voltage: 145kV Max.