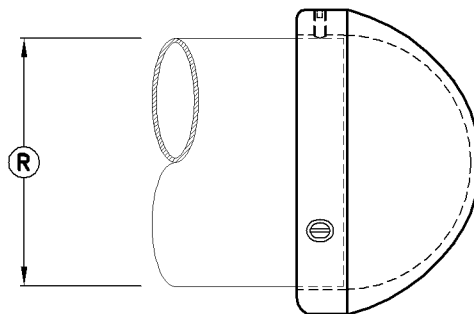


TBEP-Type Tubular Earthing Peg Clamp

Type No	Catalogue No	Tube Dia. $\text{\textcircled{R}}$	A	Earth Pin Dia. $\text{\textcircled{D}}$	Unit Weight
TBEP-80	C24893	80	225	38	1.85kg
TBEP-100	C25833	100	235	38	1.95kg
TBEP-120	C26793	120	245	38	2.20kg

- Note:**
- 1) The busbar contact surface areas are serrated.
 - 2) Material: Cast Aluminium
: Bolts & Nuts-Steel HT.8.8. H.D.G.
 - 3) Voltage: 500kV Max.



TBEC/CR-Type Corona Free End Caps

Type No	Catalogue No	Tube Diameter $\text{\textcircled{R}}$	Securing Bolts	Unit Weight
TBEC/CR-80	C17063	80	2	0.60kg
TBEC/CR-100	C17143	100	2	0.80kg
TBEC/CR-120	C17233	120	3	0.90kg
TBEC/CR-150	C17343	150	3	1.70kg
TBEC/CR-160	C28493	160	3	2.50kg
TBEC/CR-200	C17433	200	3	3.90kg
TBEC/CR-250	C17533	250	3	4.30kg

- Note:**
- 1) End caps may be supplied colour coded to IEC specification on request only.
 - 2) Inserts are machined to suit specified tube wall thickness.
 - 3) Material: Cast Aluminium
: Bolts & Nuts are Stainless Steel. (Other materials and grades available on request)
 - 4) Voltage: 500kV Max.