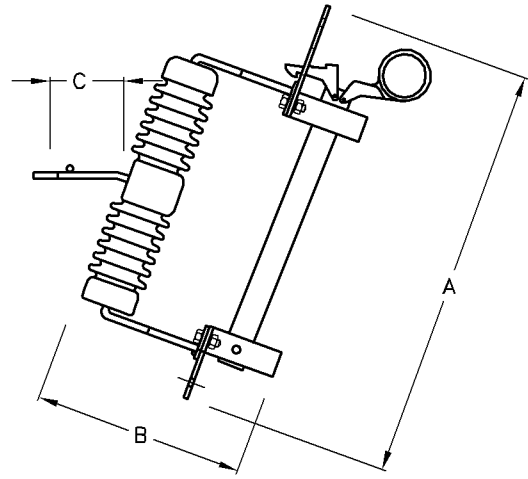


Single Phase Isolator
11kV to 33kV
Type E (Out Door)



Single Phase Isolator
11kV to 33kV
Type P (Out Door)

TYPE No.	Catalogue No.	Rated Voltage kV	Rated Current Amps	Creepage Distance (mm)	WITHSTAND TEST VOLTAGE		Short Circuit Rating R.M.S. kA	Peak Withstand Current kA	Dimensions								
					To Earth & Between Poles												
					B.I.L. Impulse Volt. Withstand	Power Freq. (Wef)			A	B	C						
2149E	S82013	11kV	400	340	150kV	50kV	13.1	34	596	500	150						
2169E	S82023		600														
2189E	S82223		800														
3149W	S82763	11/22kV	400	550	180kV	55kV	13.1	34	661	510	600						
3149W	S82243		400	820	240kV	95kV											
3149P	S82073		400	550	180kV	55kV											
3169E	S82043		600														
3189E	S84193		800														
3149E	S82053		400	360	150kV	50kV											
3169P	S88293		600														
3189P	S88303		800														
4149W	S84183		33kV	400	1100	200kV						100kV	13.1	34	761	600	155
4149E	S82103			400													
4149E	S82153	400															
4169E	S82353	600		820	240kV	95kV											
4149P	S81993	400		630	135kV	95kV											
4169P	S87883	600															

Note : 1) Material: Insulator—Porcelain.
: Contacts & Blade—Copper up to 600A Nickel plated, 800A Silver plated.
: Bases—M.Steel H.D.G.