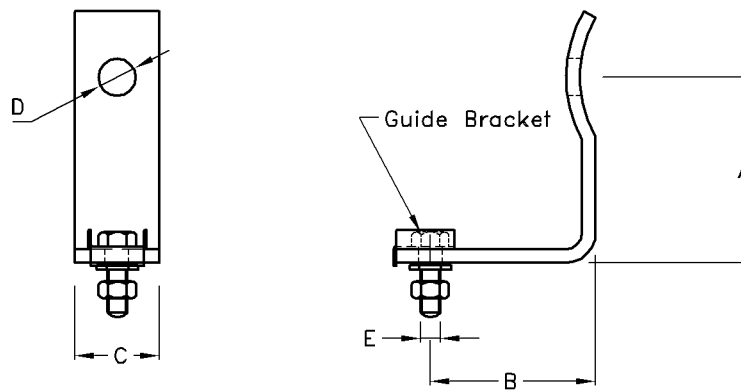


Nema Type L-Bracket Steel X-Arm

Type No.	Catalogue No.	Line Voltage	A	B	C	D	E	Unit Weight
L/B-S11/22	S89923	11-22kV	110	110	50	22	M12X40	0.20kg
L/B-S33	S89963	33kV	110	240	50	22	M12X40	0.40kg

Note : 1) Material: M.Steel H.D.G.
: Bolts & Nuts are M.Steel H.D.G.



Nema Type L-Bracket Wood X-Arm

Type No.	Catalogue No.	Line Voltage	A	B	C	D	E	Unit Weight
L/B-W11/22	S89933	11-22kV	110	110	50	22	M12X40	0.20kg
L/B-W33	S89953	33kV	110	240	50	22	M12X40	0.40kg

Note : 1) Material: M.Steel H.D.G.
: Bolts & Nuts are M.Steel H.D.G.