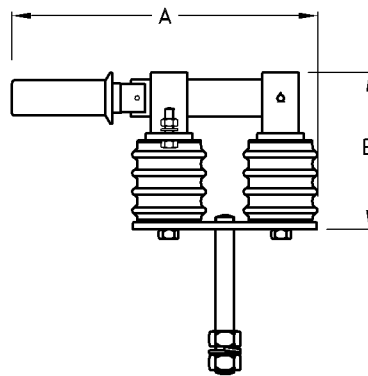
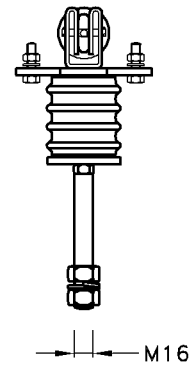


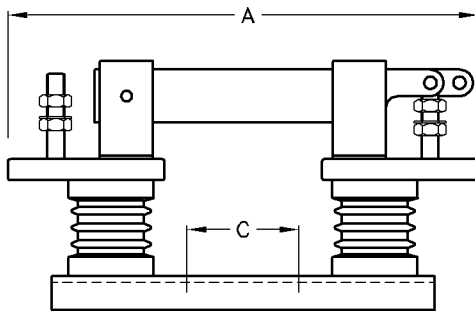
Type-R



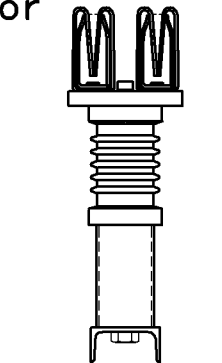
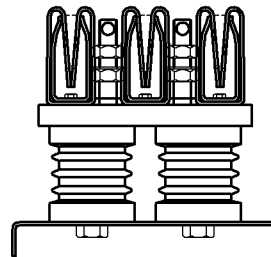
Type-H



Single Phase Isolator 660V – 200/400Amps In/Out Door



3 Blade-660V



2 Blade-11kV

Single Phase Isolator 660V & 11kV In Door Only

TYPE No.	Catalogue No.	Rated Voltage kV	Rated Current Amps	Power Freq. Withstand To Earth/Poles	Power Freq. Withstand Across Isolating Distance	Impulse To Earth & Between Poles	Impulse Across Isolating Distances	Short Circuit Rating R.M.S. kA 3 Sec.	Peak Withstand Current kA 1 Sec.	Dimensions			Unit Weight
										A	B	C	
1129H	S82003	0.66	200	N/A	N/A	N/A	N/A	N/A	N/A	274	134	N/A	2.60kg
1149H	S82093	0.66	400							274	134	N/A	2.60kg
1149R	S85113	0.66	400							196	134	N/A	2.55kg
X1116	S82523	11	1600	28	32	75	85	25	62.5	580	388	520	17.0kg
X6625	S82513	6.6	2500	28	32	75	85	25	62.5	442	234	105	19.0kg

Note : 1) Material: Insulator- Porcelain (1129 and 1149)
 -Resin (X range)
 : Contacts & Blade-Copper
 : Bases-M.Steel H.D.G.