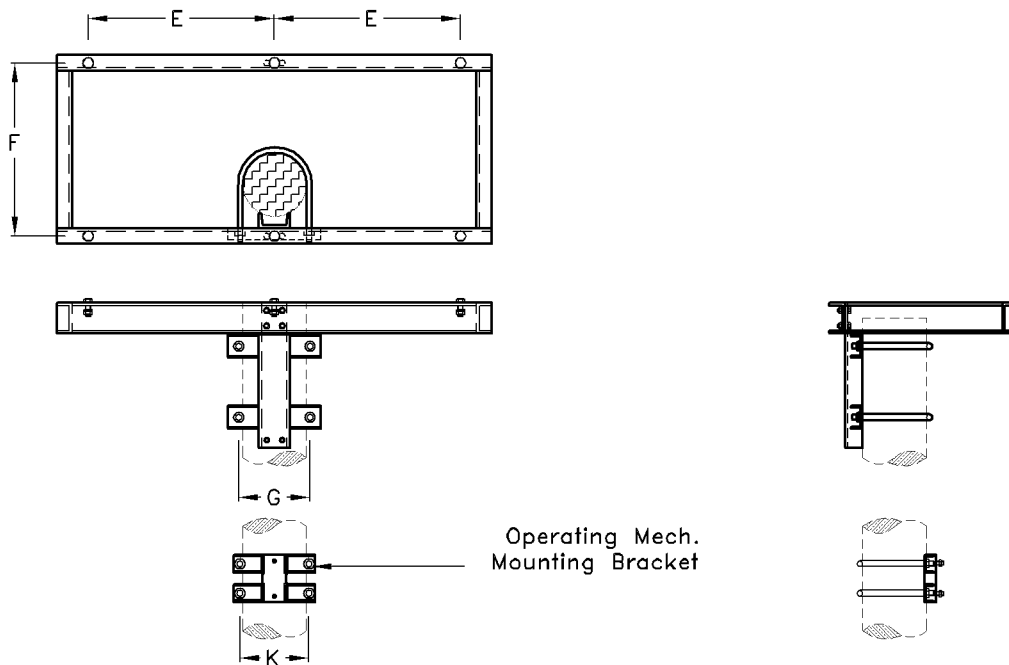


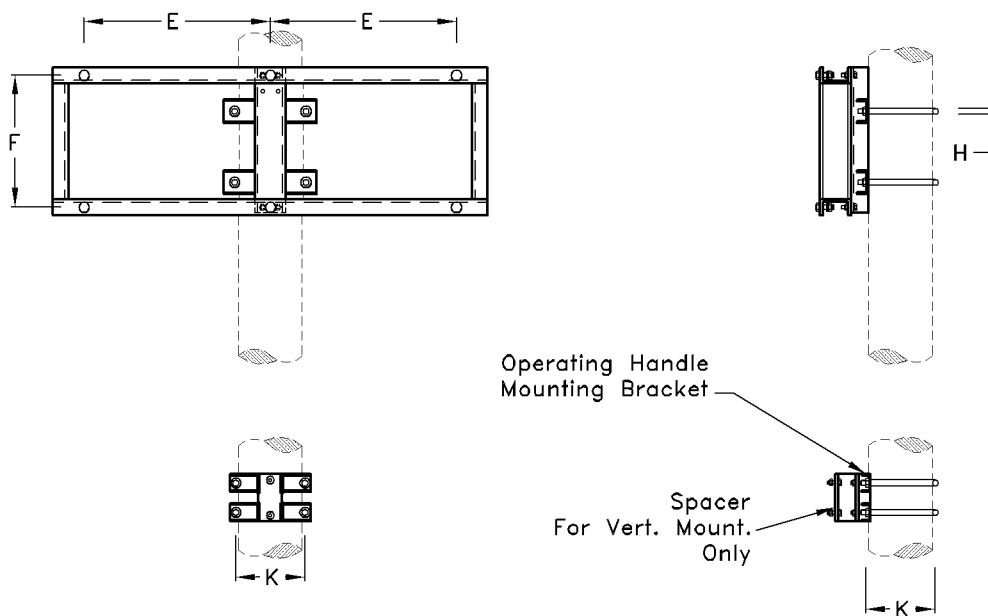


McWade
Productions

Isolators Catalogue



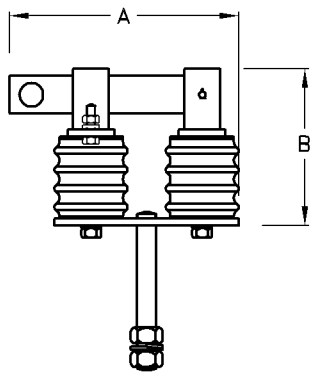
Rocking Isolator Single Pole Frame Mounted Horizontal



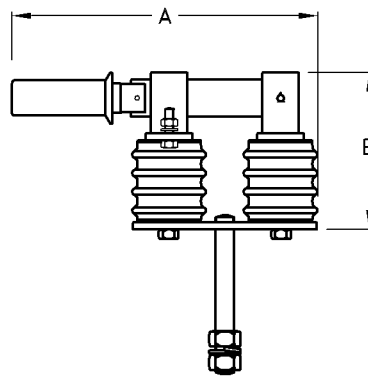
Rocking Isolator Single Pole Frame Mounted Vertical

Type No.	Catalogue No.	E	F	G	H	K	Unit Weight
SP-H&V/11kV	S74053	600	425	230	M16	292	62.0kg
SP-H&V/22kV	S74123	1000	425	230	M16	292	80.0kg
SP-H&V/33kV	S73993	1200	458	230	M16	292	97.0kg

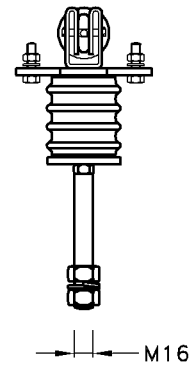
- Note :**
- 1) Frames may be mounted Horizontal or vertical.
 - 2) Other Phase spacing available on request.
 - 3) Material: M.Steel H.D.G



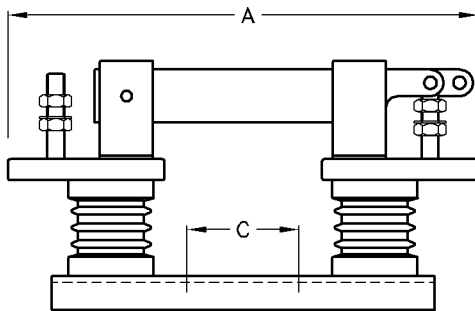
Type-R



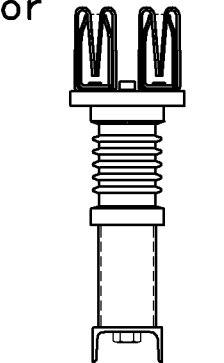
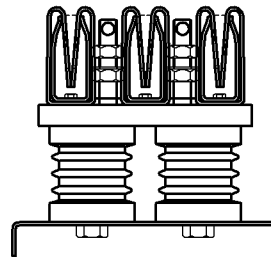
Type-H



Single Phase Isolator 660V – 200/400Amps In/Out Door



3 Blade-660V

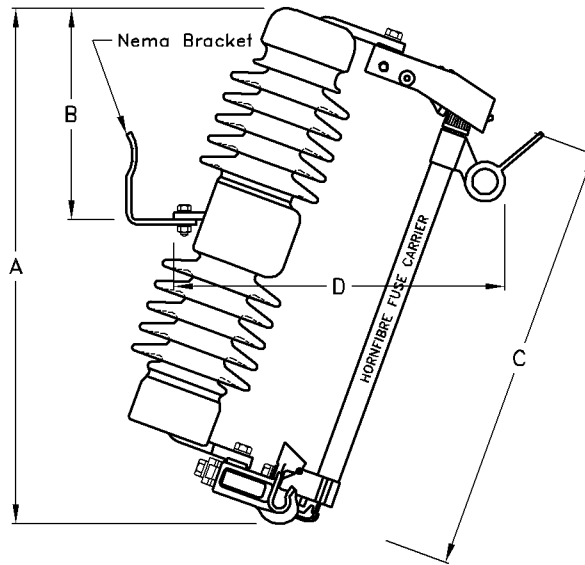


2 Blade-11kV

Single Phase Isolator 660V & 11kV In Door Only

TYPE No.	Catalogue No.	Rated Voltage kV	Rated Current Amps	Power Freq. Withstand To Earth/Poles	Power Freq. Withstand Across Isolating Distance	Impulse To Earth & Between Poles	Impulse Across Isolating Distances	Short Circuit Rating R.M.S. kA 3 Sec.	Peak Withstand Current kA 1 Sec.	Dimensions			Unit Weight
										A	B	C	
1129H	S82003	0.66	200	N/A	N/A	N/A	N/A	N/A	N/A	274	134	N/A	2.60kg
1149H	S82093	0.66	400							274	134	N/A	2.60kg
1149R	S85113	0.66	400							196	134	N/A	2.55kg
X1116	S82523	11	1600	28	32	75	85	25	62.5	580	388	520	17.0kg
X6625	S82513	6.6	2500	28	32	75	85	25	62.5	442	234	105	19.0kg

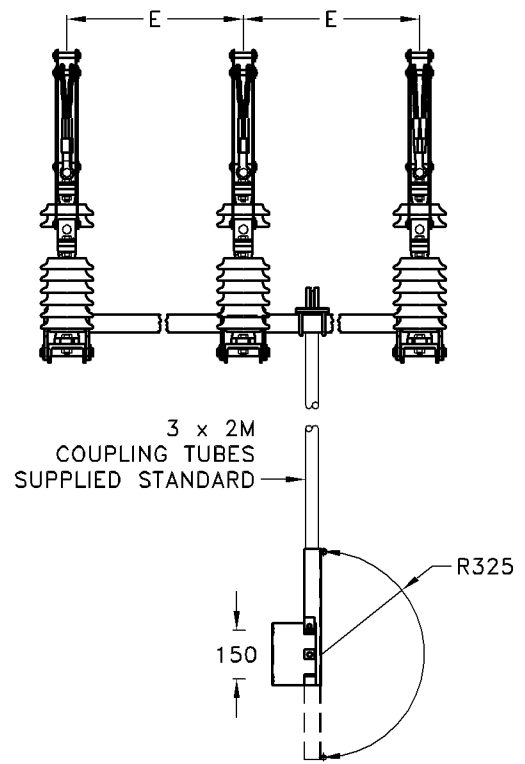
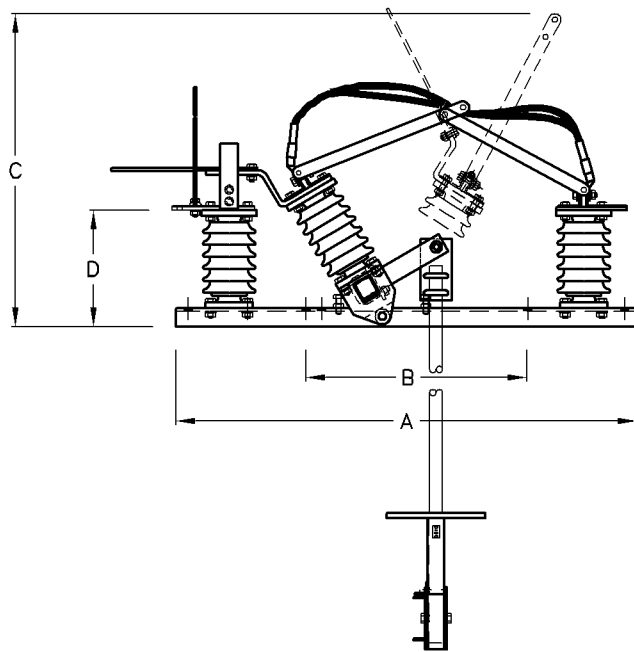
Note : 1) Material: Insulator- Porcelain (1129 and 1149)
 -Resin (X range)
 : Contacts & Blade-Copper
 : Bases-M.Steel H.D.G.



Drop Out Fuse

TYPE No.	Catalogue No.	Rated Voltage kV	Rated Current Amps	Creepage Distance (mm)	Nema Bracket Assembly	100A Fuse Carrier	200A Solid Link	Dimensions				Unit Weight	
								A	B	C	D		
36MZL	S83303	11kV	100	360	✓	✓		460	150	384	496	8.70kg	
36MZO	S89823		100			✓							8.40kg
36LZL	S83373		200		✓							✓	9.30kg
36LZO	S89833		200									✓	8.40kg
36WZL	S83293				✓								7.50kg
36WZO	S89843												7.50kg
55MZL	S83353	22kV	100	550	✓	✓		530	190	446	385	9.80kg	
55MZO	S89853		100			✓							9.80kg
55LZL	S83283		200		✓							✓	8.80kg
55LZO	S89863		200									✓	10.6kg
55WZL	S83383				✓								9.70kg
55WZO	S89873												9.50kg
55CMZL	S83343		100		✓	✓						8.50kg	
55CLZL	S82323		200		✓		✓					8.50kg	
65MZL	S81413	33kV	100	650	✓	✓		616	245	526	420	17.0kg	
65MZO	S84313		100			✓							16.0kg
65LZL	S84333		200		✓							✓	17.0kg
65LZO	S84343		200									✓	16.0kg
65WZL	S84353				✓								16.0kg
65WZO	S84363												16.0kg

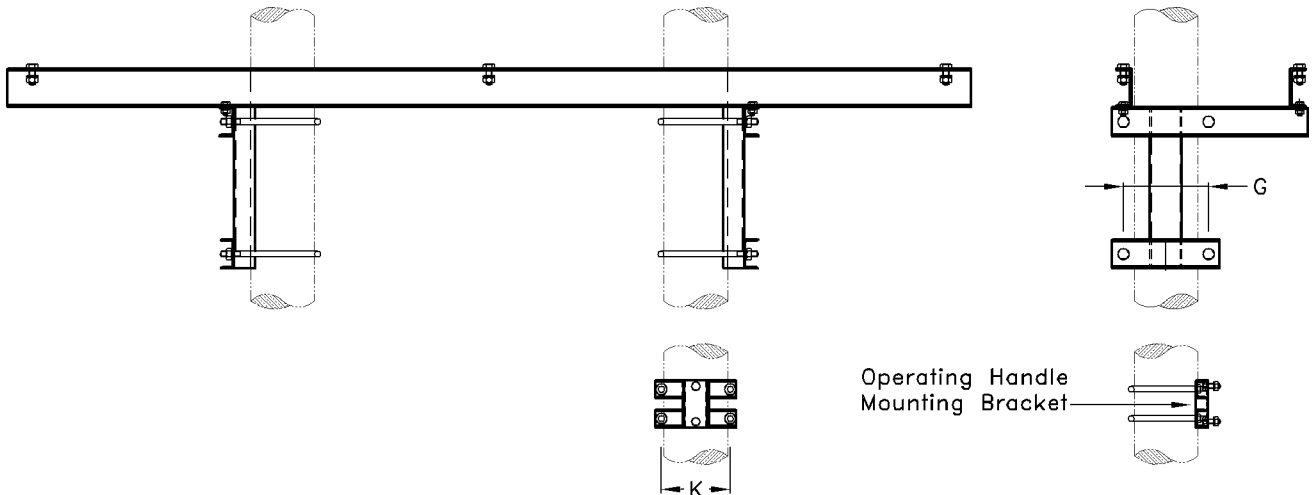
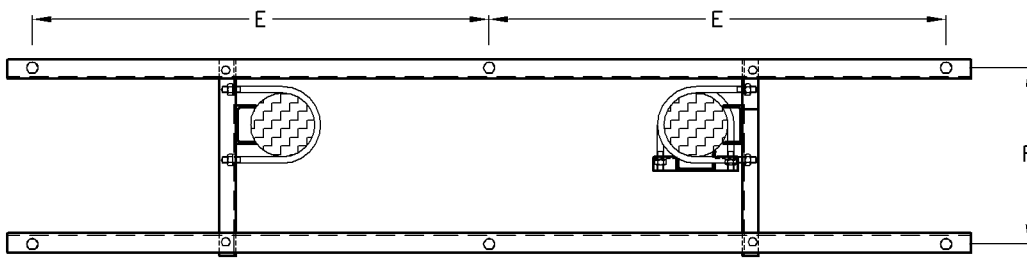
- Note :**
- 1) Material: Insulator—Porcelain
: Contacts—Brass
: Fuse tube—Hornfibre
 - 2) Cut-Outs are also available in Cycloaliphatic for 11 and 22kV only.
 - 3) Nema Bracket type to be specified, eg.wood/steel X-Arm.



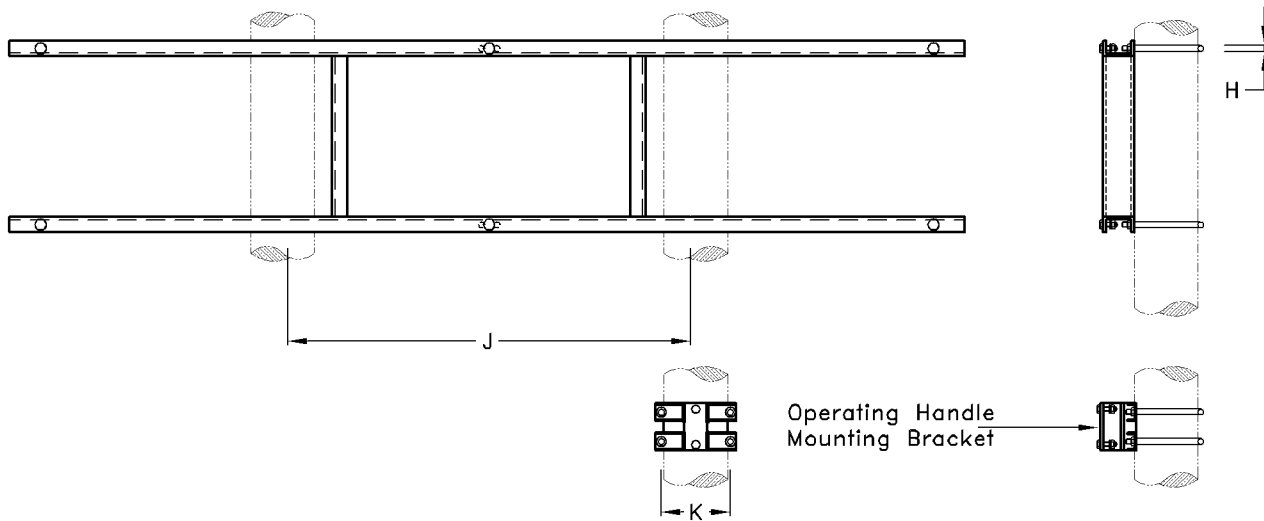
Three Phase Rocking Isolator Standard Type

Type No.	Catalogue No.	Rated Voltage kV	Rated Current Amps	WITHSTAND TEST VOLTAGE				Short Circuit Rating R.M.S. kA	Peak Withstand Current kA	Creepage Distance (mm)	Dimensions					Unit Weight
				To Earth & Between Poles		Across The Isolating Dist.					A	B	C	D	E	
				B.I.L. Impulse Volt. Withstand	Power Freq. (Wet)	B.I.L. Impulse Volt. Withstand	Power Freq. (Dry)									
2349	S80013	11kV	400	28	37	95	110	13.1	34	340	950	425	670	267	600	±135kg
2369	S80033		600													
2389S	S80043		800													
23N9S	S80093		1200													
23R9S	S80123		1600													
3349	S80233	22kV	400	50	150	67	172	13.1	34	550	950	425	710	318	1000	±145kg
3369	S80243		600													
3389S	S80263		800													
33N9S	S80273		1200													
33R9S	S80783		1600													
4349	S80203	33kV	400	70	200	95	230	13.1	34	820	1170	458	985	368	1200	±360kg
4369	S80423		600													
4389S	S80313		800													
43N9S	S80363		1200													
43R9S	S81563		1600													

- Note :**
- 1) Material: Insulator—Porcelain.
: Contacts & Blade—Copper up to 600 Nickel plated, 800/1200/1600A Silver plated.
: Bases—M.Steel H.D.G.
 - 2) High creepage Isolators for coastal and high pollution areas are available on request.
 - 3) Operating Handles are supplied with provision for a pad lock.
 - 4) Operating Handles may also be supplied with auxiliary switch box and switches.
 - 5) Isolators 800A and above are not supplied with terminal lugs.
 - 6) 800A Isolators pads are supplied with 2-ø14 holes at 45 C/C Standard
 - 7) 1200/1600A Isolators pads are supplied with 4-ø14 holes at 50 C/C Standard.



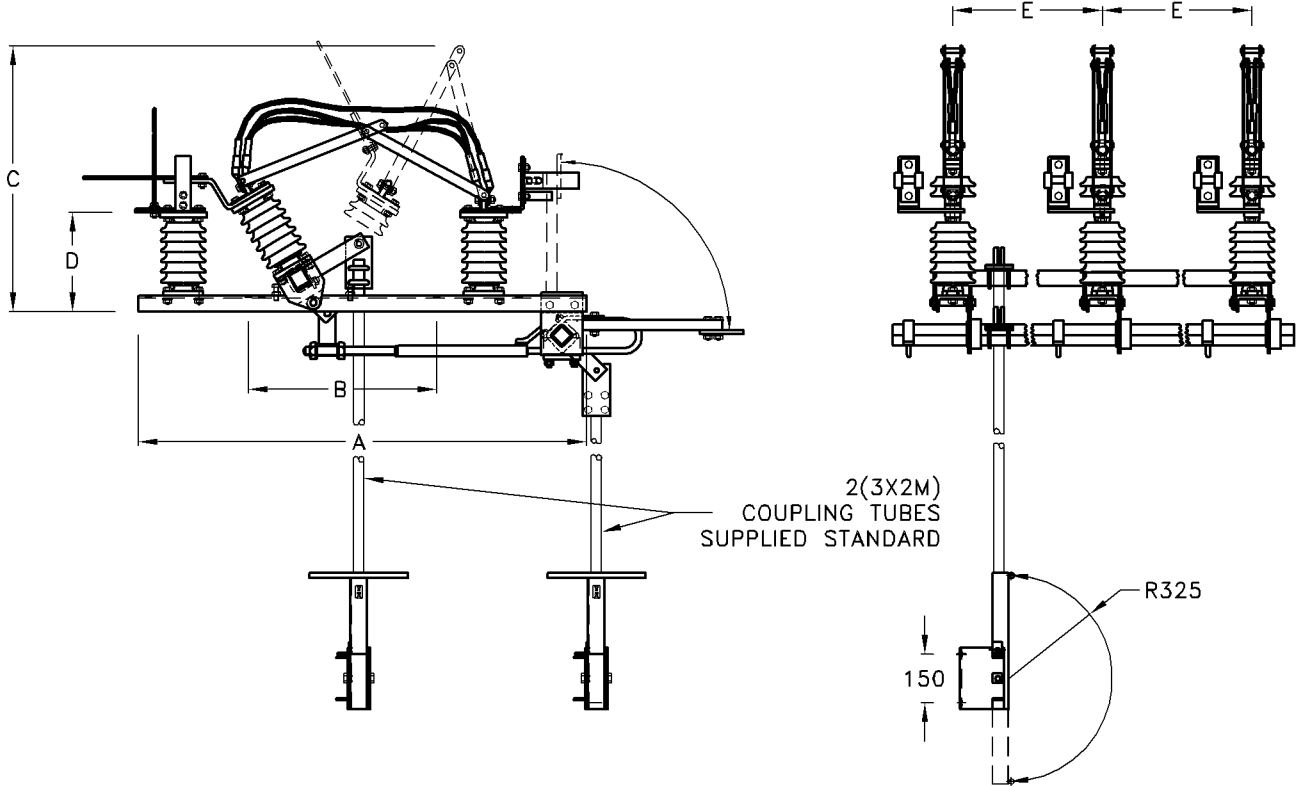
Rocking Isolator H-Pole
Horizontal Mounting Frame



Rocking Isolator H-Pole
Vertical Mounting Frame

Type No.	Catalogue No.	E	F	G	H	J	K	Unit Weight
HPOLE-V/11	S74363	600	425	230	ø16	1830	292	52.5kg
HPOLE-H/11	S74303	600	425	230	ø16	1830	292	68.5kg
HPOLE-V/22	S84323	1200	425	230	ø16	1830	292	65.0kg
HPOLE-H/22	S74373	1200	425	230	ø16	1830	292	85.5kg
HPOLE-V/33	S74383	1200	458	230	ø16	1830	292	77.0kg
HPOLE-H/33	S74393	1200	458	230	ø16	1830	292	97.0kg

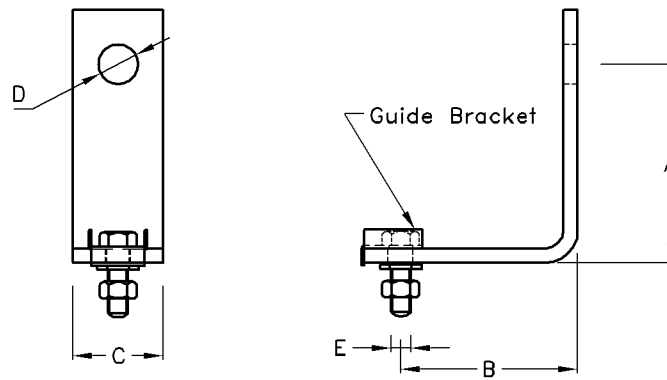
Note : Other pole centre available on request.



Rocking Isolator Earthswitch Type

TYPE No.	Catalogue No.	Rated Voltage kV	Rated Current Amps	WITHSTAND TEST VOLTAGE				Short Circuit Rating R.M.S. kA	Peak Withstand Current kA	Creepage Distance mm	Dimensions					Unit Weight
				To Earth & Between Poles		Across The Isolating Dist.					A	B	C	D	E	
				B.I.L. Impulse Volt. Withstand	Power Freq. (Wet)	B.I.L. Impulse Volt. Withstand	Power Freq. (Dry)									
2349/AM	S80053	11kV	400	28	95	37	110	13.1	34	340	950	425	670	267	600	±140kg
2369/AM	S80073		600													
2389S/AM	S80083		800													
23N9S/AM	S80163		1200													
23R9S/AM	S80123		1600													
3349/AM	S80223	22kV	400	50	150	67	172	13.1	34	550	950	425	710	318	1000	±150kg
3369/AM	S80213		600													
3389S/AM	S80193		800													
33N9S/AM	S80183		1200													
33R9S/AM	S80783		1600													
4349/AM	S80253	33kV	400	70	200	95	230	13.1	34	820	1170	458	985	368	1200	±365kg
4369/AM	S80303		600													
4389S/AM	S80463		800													
43N9S/AM	S80653		1200													
43R9S/AM	S80403		1600													

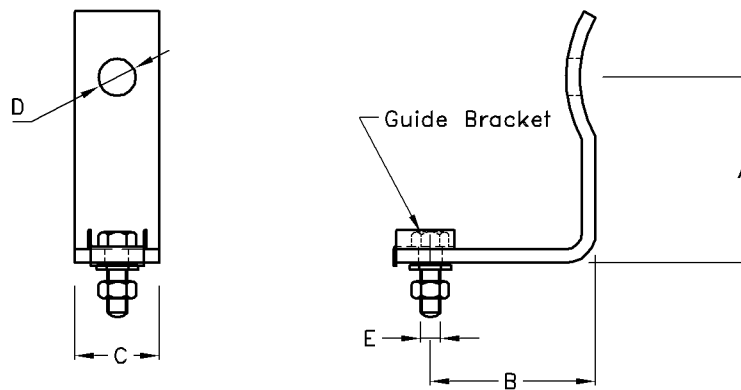
- Note :**
- 1) Material: Insulator—Porcelain.
 : Contacts & Blade—Copper up to 600 Nickel plated, 800/1200/1600A Silver plated.
 : Bases—M.Steel H.D.G.
 - 2) High creepage Isolators for coastal and high pollution areas are available on request.
 - 3) Operating Handles are supplied with provision for a pad lock.
 - 4) Operating Handles may also be supplied with auxiliary switch box.
 - 5) Isolators are supplied standard with a mechanical interlock.
 - 6) Isolators 800A and above are not supplied with terminal lugs.
 - 7) 800A Isolators pads are supplied with 2-∅14 holes at 45 C/C Standard.
 - 8) 1200/1600A Isolators pads are supplied with 4-∅14 holes at 50 C/C Standard.



Nema Type L-Bracket Steel X-Arm

Type No.	Catalogue No.	Line Voltage	A	B	C	D	E	Unit Weight
L/B-S11/22	S89923	11-22kV	110	110	50	22	M12X40	0.20kg
L/B-S33	S89963	33kV	110	240	50	22	M12X40	0.40kg

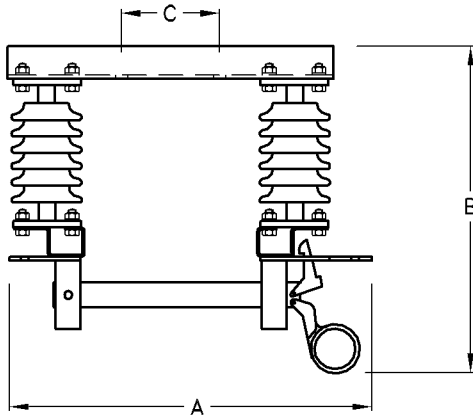
Note : 1) Material: M.Steel H.D.G.
: Bolts & Nuts are M.Steel H.D.G.



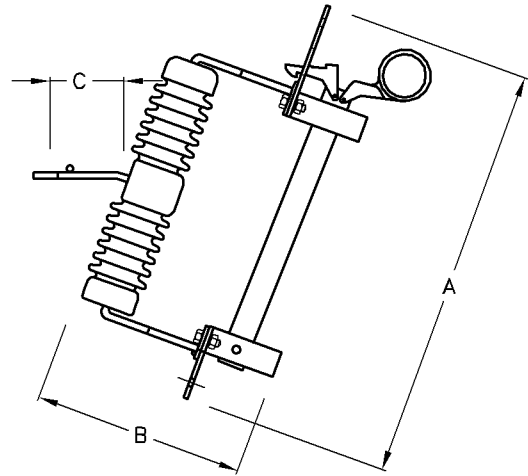
Nema Type L-Bracket Wood X-Arm

Type No.	Catalogue No.	Line Voltage	A	B	C	D	E	Unit Weight
L/B-W11/22	S89933	11-22kV	110	110	50	22	M12X40	0.20kg
L/B-W33	S89953	33kV	110	240	50	22	M12X40	0.40kg

Note : 1) Material: M.Steel H.D.G.
: Bolts & Nuts are M.Steel H.D.G.



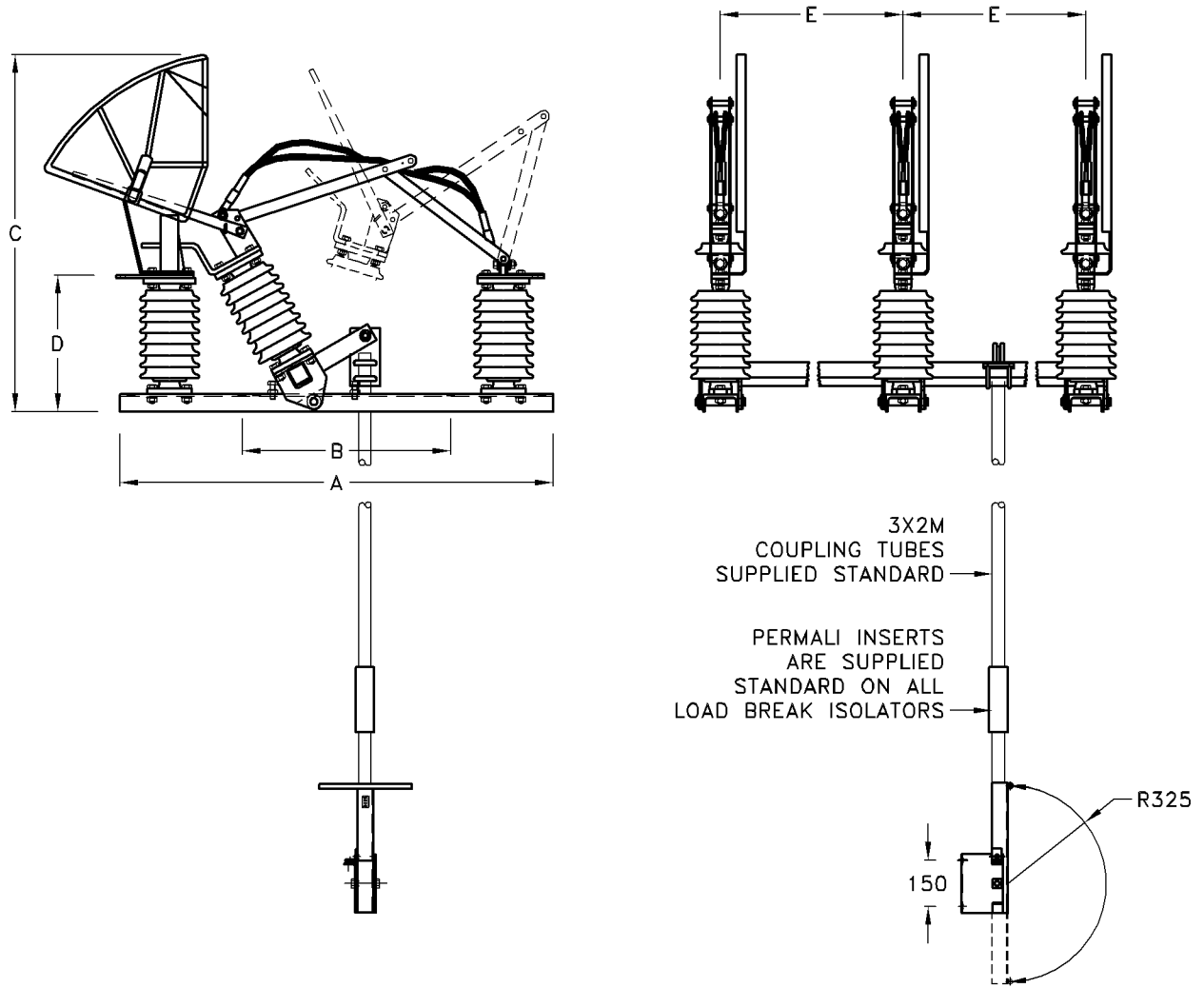
Single Phase Isolator
11kV to 33kV
Type E (Out Door)



Single Phase Isolator
11kV to 33kV
Type P (Out Door)

TYPE No.	Catalogue No.	Rated Voltage kV	Rated Current Amps	Creepage Distance (mm)	WITHSTAND TEST VOLTAGE		Short Circuit Rating R.M.S. kA	Peak Withstand Current kA	Dimensions								
					To Earth & Between Poles												
					B.I.L. Impulse Volt. Withstand	Power Freq. (Wef)			A	B	C						
2149E	S82013	11kV	400	340	150kV	50kV	13.1	34	596	500	150						
2169E	S82023		600														
2189E	S82223		800														
3149W	S82763	11/22kV	400	550	180kV	55kV	13.1	34	661	510	600						
3149W	S82243		400	820	240kV	95kV											
3149P	S82073		400	550	180kV	55kV											
3169E	S82043		600														
3189E	S84193		800														
3149E	S82053		400	360	150kV	50kV											
3169P	S88293		600														
3189P	S88303		800														
4149W	S84183		33kV	400	1100	200kV						100kV	13.1	34	761	600	155
4149E	S82103			400													
4149E	S82153	400		820	240kV	95kV											
4169E	S82353	600															
4149P	S81993	400		630	135kV	95kV											
4169P	S87883	600															

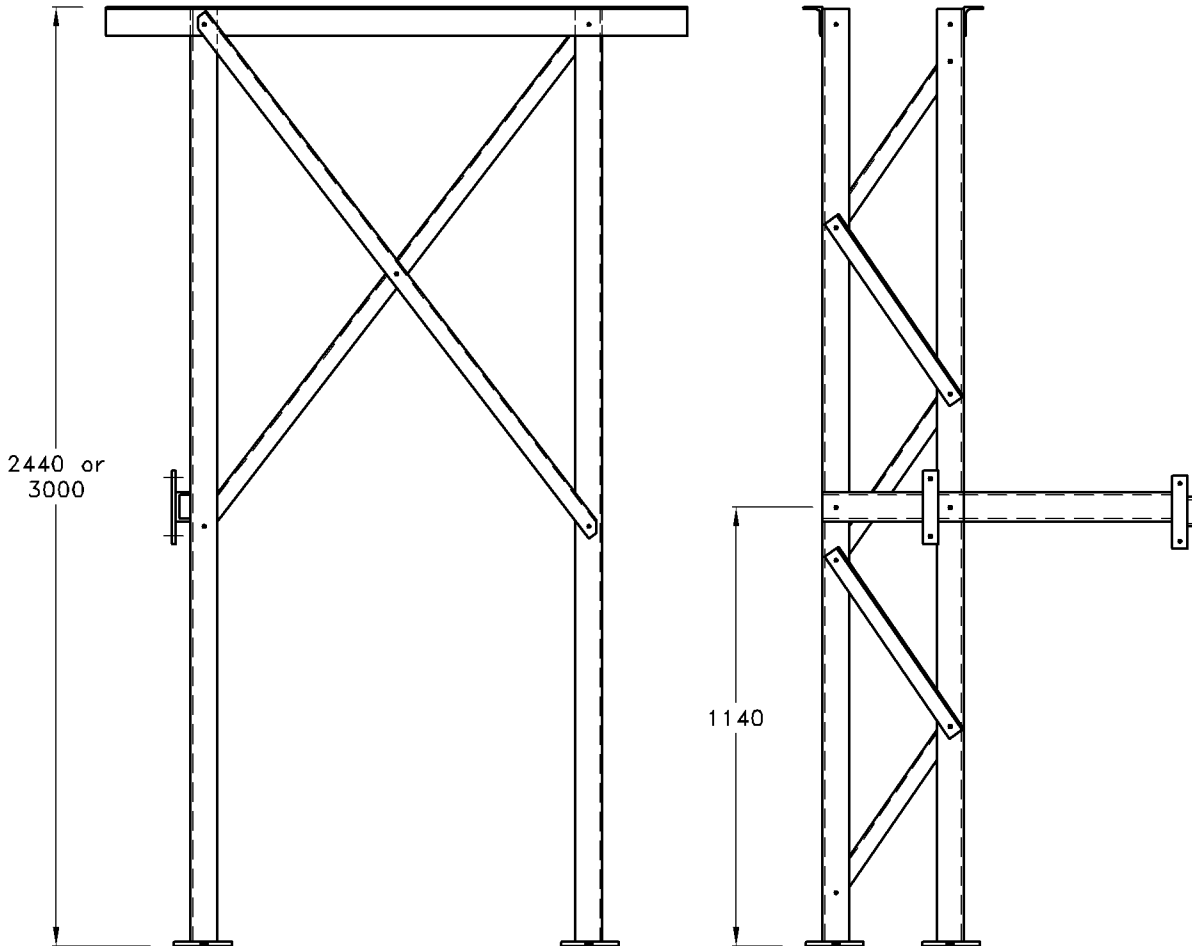
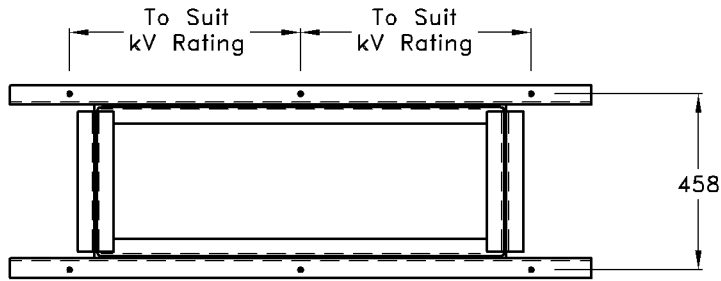
Note : 1) Material: Insulator—Porcelain.
: Contacts & Blade—Copper up to 600A Nickel plated, 800A Silver plated.
: Bases—M.Steel H.D.G.



Rocking Isolator Load Break Type

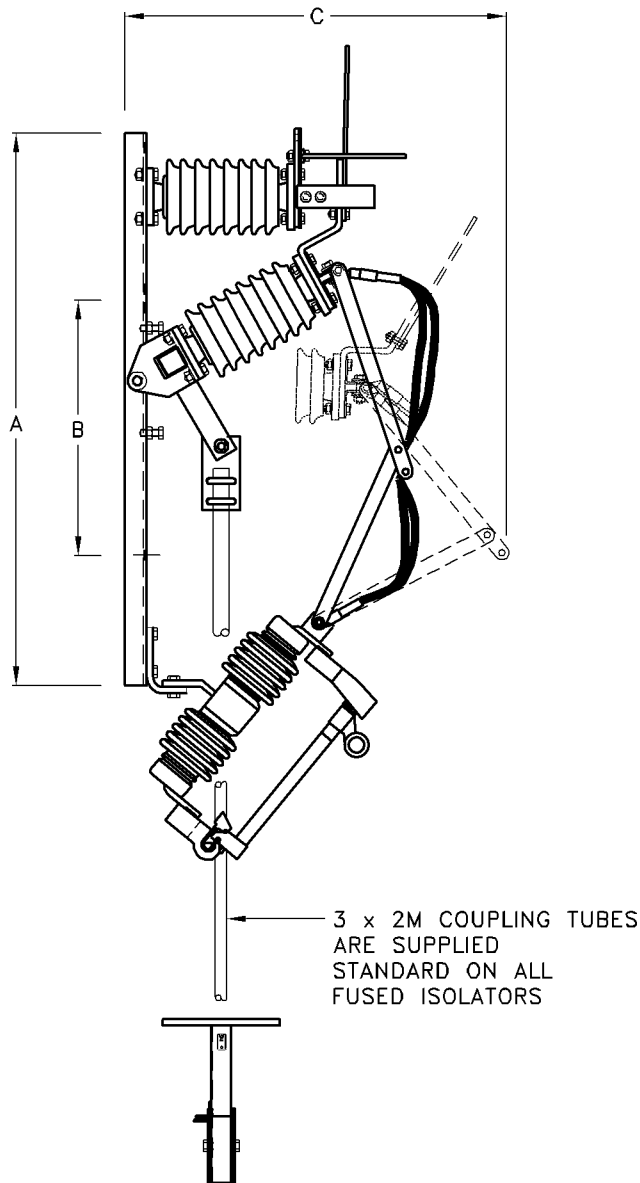
TYPE No.	Catalogue No.	Rated Voltage kV	Rated Current Amps	WITHSTAND TEST VOLTAGE			Short Circuit Rating R.M.S. kA	Peak Withstand Current kA	Creepage Distance (mm)	Break Capacity (Amps)	Dimensions					Unit Weight	
				To Earth & Between Poles		Across The Isolating Dist.					A	B	C	D	E		
				B.I.L Impulse Volt. Withstand	Power Freq. (Wet)	B.I.L Impulse Volt. Withstand											Power Freq. (Dry)
2349LBI	S80283	11kV	800	95	28	110	37	13.1	34	340	630	950	425	492	267	600	±138kg
2369LBI	S80293		600														
2389LBI	S80593		600														
3349LBI	S80573	22kV	400	150	50	172	67	13.1	34	550	600	950	425	542	318	1000	±148kg
3369LBI	S80633		600														
4349LBI	S81623	33kV	400	200	70	230	95	13.1	34	820	250	1170	458	663	368	1200	±363kg
4369LBI	S80533		600														

- Note :**
- 1) Material: Insulator—Porcelain.
: Contacts & Blade—Copper up to 600 Nickel plated, 800A Silver plated.
: Bases—M.Steel H.D.G.
 - 2) High creepage Isolators for coastal and high pollution areas are available on request.
 - 3) Operating Handles are supplied with provision for a pad lock.
 - 4) Operating Handles may also be supplied with auxiliary switch box.
 - 5) Isolators are not supplied with terminal lugs.
 - 6) Isolators pads are supplied with 1-∅14 hole.



Rocking & Centre Rotating Isolator Structure Horizontal Mounting Only

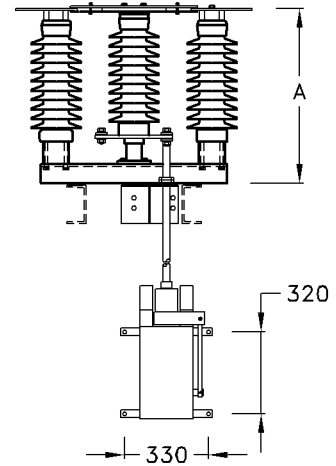
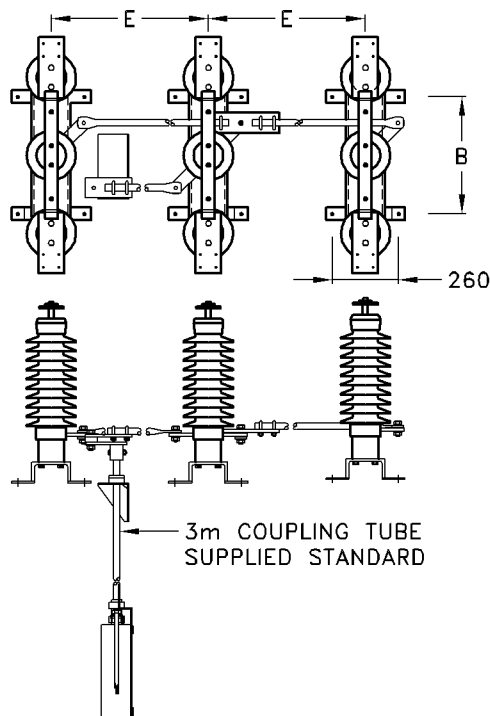
- Note :** 1) Material: M.Steel H.D.G
2) Specify type of structure and whether standard or earth switch type.



Rocking Isolator Fused Type Max. 100A Fused or 200A Solid Link

TYPE No.	Catalogue No.	Rated Voltage kV	Rated Current Amps	Power Frequency Wet kV(Isol.)	Power Frequency Dry kV(Isol.)	Impulse Wet kV(Isol.)	Impulse Dry kV(Isol.)	Short Circuit Rating R.M.S. kA	Peak Withstand Current kA(Isol.)	Creepage Distance mm	Dimensions				Unit Weight
											A	B	C	Phase c/c	
2349/36MZL	S80493	11kV	100	28	37	95	110	13.1	34.1	340	950	425	590	600	±138kg
2349/55MZL	S80483		100	28	37	95	110	13.1	34.1	1100	950	458	590	600	±138kg
3349/36MZL	S80503	22kV	100	50	150	67	172	13.1	34.1	550	950	425	590	1000	±148kg
3349/55MZL	S80543		100	50	150	67	172	13.1	34.1	550	950	425	620	1000	±148kg
4349/63MZL	S80513	33kV	100	70	200	95	230	13.1	34.1	820	1170	458	900	1200	±363kg

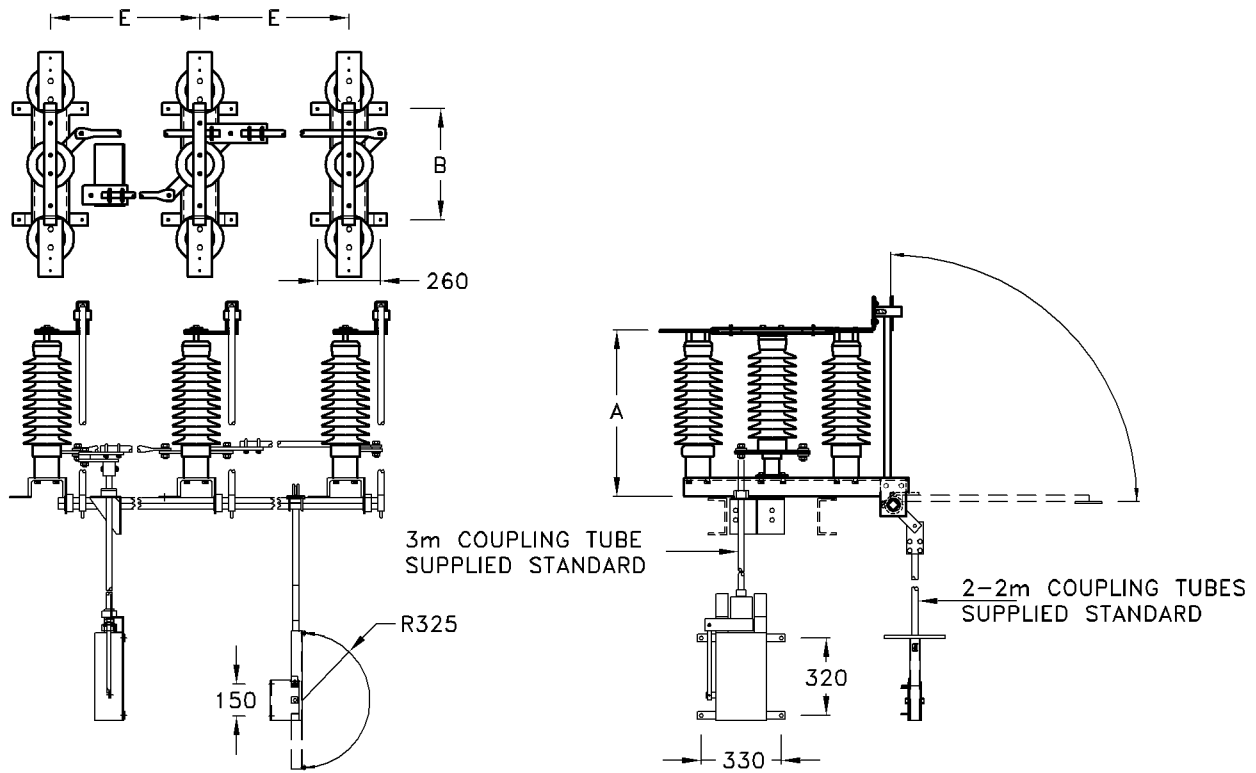
- Note :**
- 1) Material: Insulator—Porcelain.
: Rocker Contacts—Copper Nickel plated.
: Bases—M.Steel H.D.G.
 - 2) Operating Handles are supplied with provision for a pad lock.
 - 3) Operating Handles may also be supplied with auxiliary switch box.
 - 4) Isolators front contacts are supplied with a 5/15 P.G Clamp.
 - 5) Cut-out bottom contacts are supplied with a 5/15 P.G Clamp.
 - 6) Other combinations of isolators and cut-outs are available on request.



Centre Rotating Isolator HK Standard Type

TYPE No.	Catalogue No.	Rated Voltage kV	Rated Current Amps	WITHSTAND TEST VOLTAGE						Short Circuit Rating R.M.S. kA	Peak Withstand Current kA	Creepage Distance mm	Dimensions			Unit Weight
				To Earth & Between Poles			Across The Isolating Dist.						A	B	E	
				B.I.L. Impulse Volt. Withstand	Power Freq. (Dry)	Power Freq. (Wet)	B.I.L. Impulse Volt. Withstand	Power Freq. (Dry)	Power Freq. (Wet)							
HK11/400	S84253	11kV	400	50	85	45	80	25	480	25	54.1	380	480	458	600	±250kg
HK11/600	S80833		600													
HK22/400	S81833	22kV	400	81	98	64	93	25	480	25	54.1	660	580	458	1000	±278kg
HK22/600	S80843		600													
HK33/400	S81933	11/22/33kV	400	150kV	50kV	50kV	175kV	60kV	60kV	25	54.1	1100	700	458	1200	±454kg
HK33/600	S88353		600													
HK33/800	S81853		800													
HK33/1250	S87943		1250													
HK33/1600	S81813		1600													
HK33/2000	S81683		2000													
HK44/400	S81163	44kV	400	250kV	70kV	70kV	200kV	N/A	95kV	25	54.1	1300	690	458	1500	±515kg
HK44/800	S87863		800													
HK44/1250	S81873		1250													
HK44/1600	S81343		1600													
HK66/400	S88893	66kV	400	325kV	N/T	140kV	374kV	N/A	189kV	25	54.1	1700	900	458	2000	±575kg
HK66/800	S87773		800													
HK66/1250	S80803		1250													
HK66/1600	S87793		1600													

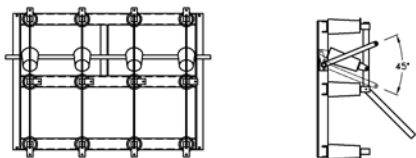
- Note :**
- 1) Material: Insulator—Porcelain.
: Contacts & Blade—Copper up to 600 Nickel plated, 800/1200/1600A Silver plated.
: Bases—M.Steel H.D.G.
 - 2) Other Current ratings are available on request.
 - 3) Operating Handles can be fitted with pad lock/key interlocks and aux. switches.
 - 4) Isolators are not supplied with terminal lugs.
 - 5) Up to 800A isolator pads are supplied with 2- ϕ 14 holes at 45 Centres Standard.
 - 6) 1200A and above isolator pads are supplied with 4- ϕ 14 holes at 50 Centres Standard.



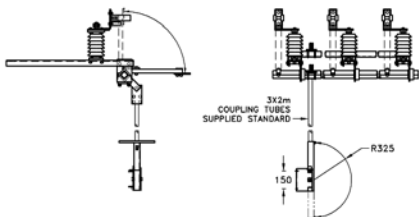
Centre Rotating Isolator HK Earthswitch Type

TYPE No.	Catalogue No.	Rated Voltage kV	Rated Current Amps	WITHSTAND TEST VOLTAGE						Short Circuit Rating R.M.S. kA	Peak Withstand Current kA	Creepage Distance mm	Dimensions			Unit Weight
				To Earth & Between Poles			Across The Isolating Dist.						A	B	E	
				B.I.L. Impulse Volt. Withstand	Power Freq. (Dry)	Power Freq. (Wet)	B.I.L. Impulse Volt. Withstand	Power Freq. (Dry)	Power Freq. (Wet)							
HK11/4/AM	S80993	11kV	400	50	85	45	80	25	480	25	54.1	380	480	458	600	±290kg
HK11/6/AM	S80873		600													
HK33/4/AM	S81933	11/22/33kV	400	150kV	50kV	50kV	175kV	60kV	60kV	25	54.1	1100	700	458	1200	±575kg
HK33/6/AM	S87823		600													
HK33/8/AM	S87783		800													
HK33/12.5/AM	S87763		1250													
HK33/16/AM	S81903		1600													
HK33/20/AM	S81683		2000													
HK33/25/AM	S87993		2500													
HK44/4/AM	S81463	44kV	400	250kV	70kV	70kV	200kV	N/A	95kV	25	54.1	1300	690	458	1500	±595kg
HK44/8/AM	S87873		800													
HK44/12.5/AM	S81843		1250													
HK66/4/AM	S81693	66kV	400	325kV	N/T	140kV	374kV	N/A	189kV	25	54.1	1700	900	458	2000	±615kg
HK66/8/AM	S81493		800													
HK66/12/AM	S80893		1200													
HK66/16/AM	S81483		1600													

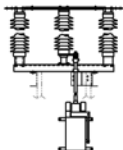
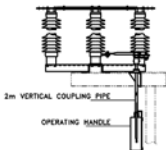
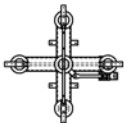
- Note :**
- 1) Material: Insulator—Porcelain
 : Contacts & Blade—Copper up to 600 Nickel plated, 800/1200/1600A Silver plated.
 : Bases—M.Steel H.D.G.
 - 2) Operating Handles can be fitted with pad lock/key interlocks and aux. switches.
 - 3) Isolators are not supplied with terminal lugs.
 - 4) Up to 800A isolator pads are supplied with 2-∅14 holes at 45 Centres.
 - 5) 1200A and above isolator pads are supplied with 4-∅14 holes at 50 Centres Standard.



11kV 4-Pole Change Over



Stand Alone Earth Switch



Centre Rotating Single Phase To Earth