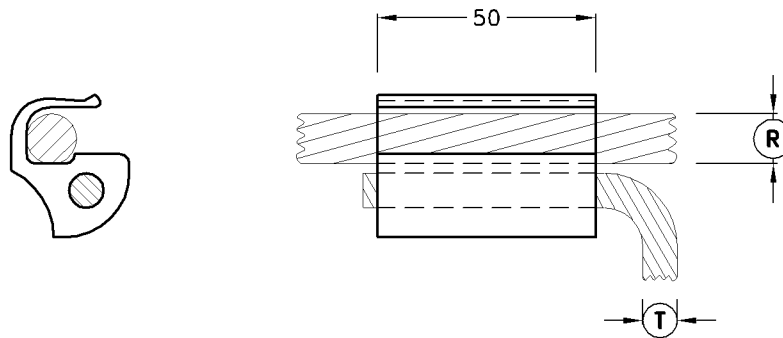


Bi-Metal Non Tension Angle Tap Compression Joint Medium Voltage

Type No	Catalogue No.	Cond. Cu Ⓡ mm ²	Dia.	Cond. Cu Ⓣ mm ²	Dia.	A	B	Unit Weight
VCCAT	L203703	25/70	6.4-10.9	Squirrel	6.33	50	130	0.14kg
VCCAT	L203713	25/70	6.4-10.9	Fox/Fir	8.38	50	130	0.16kg
VCCAT	L203723	25/70	6.4-10.9	Mink/Pine	10.9	50	130	0.18kg
VCCAT	L203733	25/70	6.4-10.9	Hare/Oak	14.1	50	130	0.17kg

- Note:** 1) Use Bimetal 4E- 4 Way indent crimper.
 2) Other conductor sizes are available on request.
 3) Material: Extruded Aluminium.
 : Extruded Copper, Annealed.



Aluminium "C" Connectors-Non Tension Compression Tap Joint Medium Voltage

Type No	Catalogue No.	Cond. Cu Ⓡ mm ²	Dia.	Cond. Cu Ⓣ mm ²	Dia.	Unit Weight
VCC	L109103	Fox/Fir	6-8	Squirrel	6.3	0.05kg
VCC	L109113	Fox/Fir	6-8	Fox/Fir	6-8	0.05kg
VCC	L109203	Mink/Pine	7-12	Squirrel	6.3	0.05kg
VCC	L109213	Mink/Pine	7-12	Fox/Fir	6-8	0.05kg
VCC	L109223	Mink/Pine	7-12	Mink/Pine	7-12	0.05kg

- Note:** 1) Material: Extruded Aluminium.