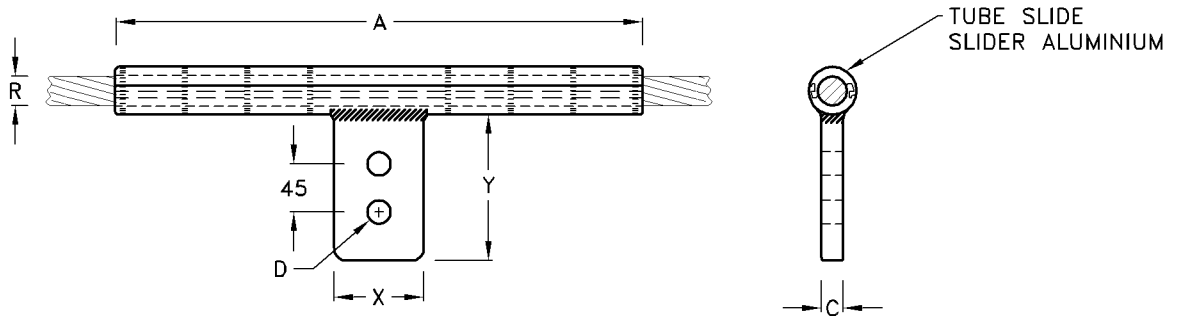


## Non-Tension Tap Connector Tee-off Medium Voltage

| Catalogue No. | Cond. R  | Dia./Colour Code                 | Cond. T  | Dia./Colour Code                 | A   | B  | Unit Weight |
|---------------|--|----------------------------------|--|----------------------------------|-----|----|-------------|
|               | Name   |                                  | Name   |                                  |     |    |             |
| L104113       | Squirrel/Acacia<br>Magpie/35mm <sup>2</sup><br>Fox/Fir | 4.5-9.0<br>Blue/Green<br>/Orange | Squirrel/Acacia<br>Magpie/35mm <sup>2</sup><br>Fox/Fir | 4.5-9.0<br>Blue/Green<br>/Orange | 195 | 90 | 0.12kg      |
| L104203       | Mink/Pine  | 7.0-12.0<br>Red                  | Squirrel/Acacia<br>Magpie/35mm <sup>2</sup><br>Fox/Fir | 4.5-9.0<br>Blue/Green<br>/Orange | 195 | 90 | 0.25kg      |
| L104223       | Mink/Pine  | 7.0-12.0<br>Red                  | Mink/Pine  | 7.0-12.0<br>Red                  | 195 | 90 | 0.27kg      |
| L104313       | Hare/Oak<br>Mink/Pine                                  | 9.0-15.0<br>Red/Brown            | Squirrel/Acacia<br>Fox/Fir/Magpie                      | 4.5-9.0<br>Blue/Green<br>/Orange | 195 | 90 | 0.28kg      |
| L104333       | Hare/Oak<br>Mink/Pine                                  | 9.0-15.0<br>Red/Brown            | Hare/Oak<br>Mink/Pine                                  | 9.0-15.0<br>Red/Brown            | 195 | 90 | 0.32kg      |



## Non-Tension Tap Connector Tee-off Flag Type Medium Voltage

| Catalogue No. | Conductor R  | Dia./Colour Code                 | Palm Size |     | A   | C  | D    | Unit Weight |
|---------------|--|----------------------------------|-----------|-----|-----|----|------|-------------|
|               |  |                                  | X         | Y   |     |    |      |             |
| L107103       | Squirrel/Acacia<br>Magpie/35mm <sup>2</sup><br>Fox/Fir | 4.5-9.0<br>Blue/Green<br>/Orange | 38        | 100 | 195 | 10 | 13.5 | 0.26kg      |
| L107203       | Mink/Pine  | 7.0-12.0/Red                     | 38        | 100 | 195 | 10 | 13.5 | 0.27kg      |
| L107303       | Hare/Oak   | 9.0-15/Brown                     | 38        | 100 | 195 | 10 | 13.5 | 0.28kg      |

- Note:**
- 1) Use Bimetal 4E-4 Way Indent Crimper.
  - 2) Compression tubes are marked showing conductor name, crimp positions and crimper.
  - 3) Other conductor sizes and combinations are available on request.
  - 4) Material: Extruded Aluminium.