

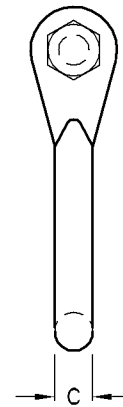
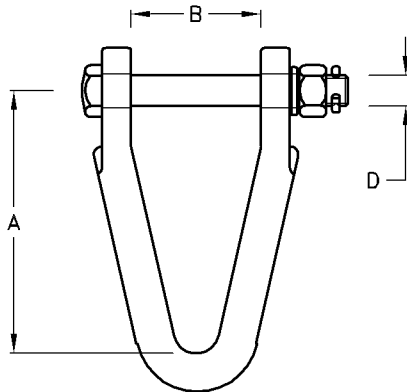
## Twisted Shackle Bolt Type

Type No.	Catalogue No.	A	B	C	D	U.T.S (kN)	Unit Weight
SHB/T-120	B30283	70	19	16	M16	120	0.50kg
SHB/T-210	B32833	80	21.5	16	M20	210	0.90kg

**Note:** 1) Material: D.F.Steel H.D.G.

: Bolt H.T.Steel 8.8 H.D.G.

- 2) Can be supplied either with split cotter pin or hump back split pin.  
To be specified.



## Straight Shackle Bolt Type

Type No.	Catalogue No.	A	B	C	D	U.T.S (kN)	Unit Weight
SHB-120	B35033	125	68	20	M16	120	1.20kg

**Note:** 1) Material: D.F.Steel H.D.G.

: Bolt H.T.Steel 8.8 H.D.G.

- 2) Can be supplied either with split cotter pin or hump back split pin.  
To be specified.