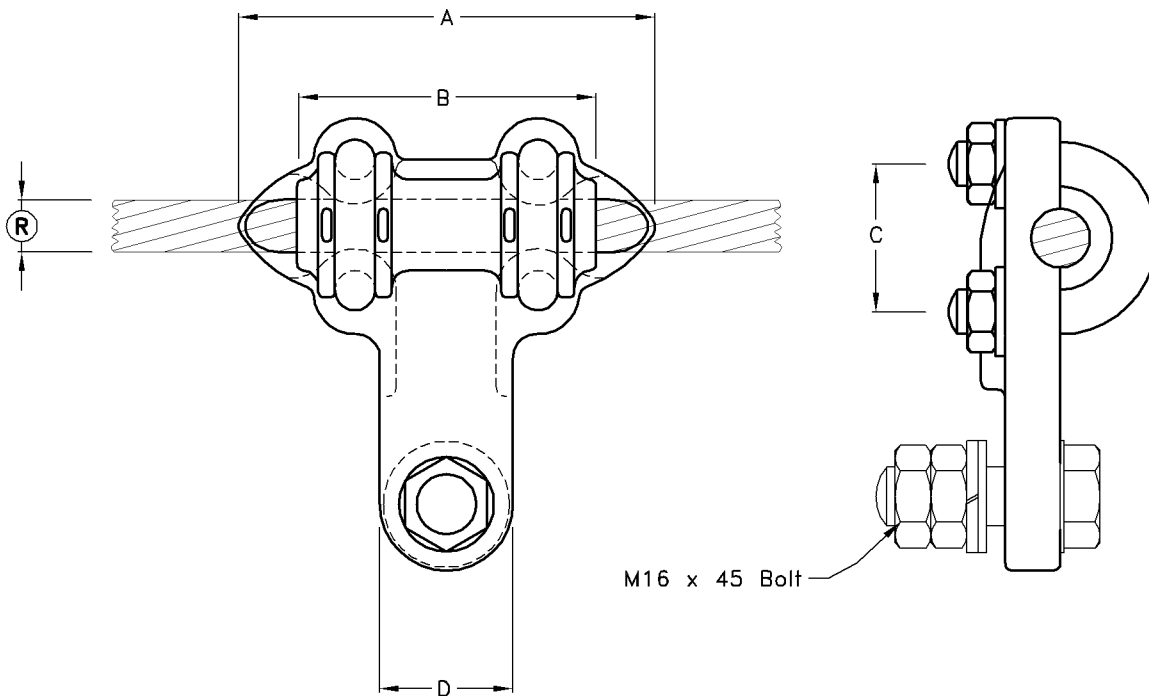


Rail Base Earth Clamp

Type No.	Catalogue No.	A	B	C	D	Unit Weight
MP - S/628	C22603	130	70	178	15 Min.	1.420kg

Note: 1) Material: Cast Iron H.D.G.
: Bolts & Nuts M.Steel H.D.G.



Earth Return Wire Hold Down Base Clamp

Type No.	Catalogue No.	Conductor [®] Min.-Max.	A	B	C	D	Unit Weight
MP-A/1753A	C34313	5-15	125	90	40	40	1.00kg

Note: 1) Material: Cast Aluminium
: Bolts & Nuts M.Steel H.D.G.