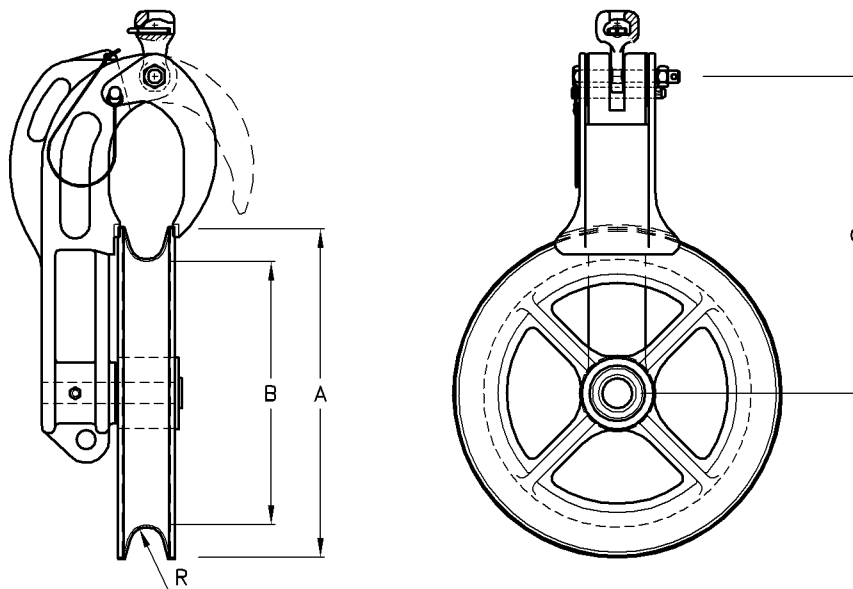


Stringing Block For Triple Conductor

Type No.	Catalogue No.	Conductor Range Min.-Max.	A	B	R	M.F.L kN	S.W.L kN	Unit Weight
MVB-435	H91903	10-48	435	365	415	120kN	30kN	46.0kg

Note: 1) Material: Cast Aluminium
: H.T.Steel H.D.G



Stringing Block For Single Conductor

Type No.	Catalogue No.	Conductor Range Min.-Max.	A	B	R	M.F.L kN	S.W.L kN	Unit Weight
SSB-435	H91873	10-48	435	365	30	60kN	20kN	18.0kg

Note: 1) Material: Cast Aluminium
: H.T.Steel H.D.G