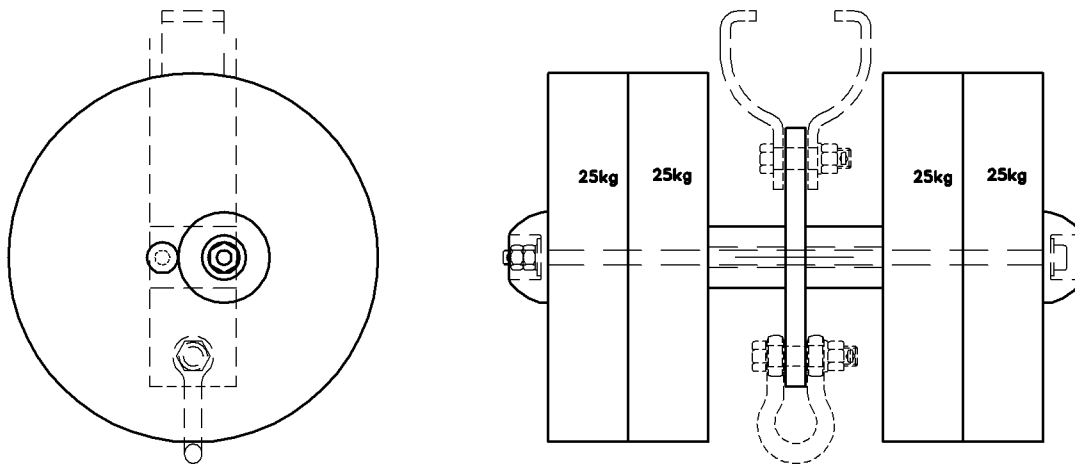


Counterweight

Type No	Catalogue No	A	B	C	D	U.T.S kN	Unit Weight
CW-1/ZIM	H45652	340	100	M20	200	120	51.5kg

Note: 1) Material: M.Steel H.D.G.



Suspension Counterweight

Note: 1) Material: M.Steel H.D.G.
2) Other types of counterweight arrangements are available on request.