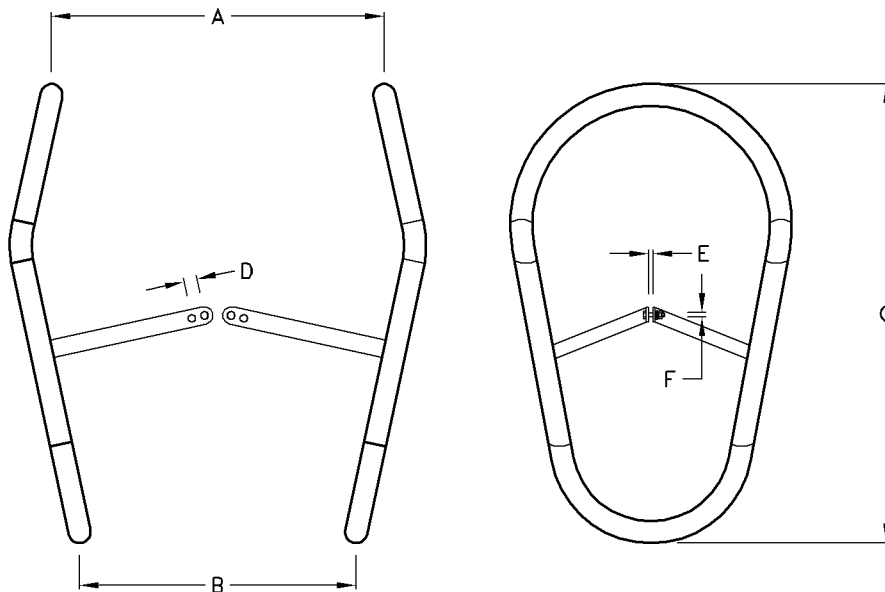


### Corona Ring For Suspension Assembly

Catalogue No.	A	B	C	D	E	F	Unit Weight
H39573	360	880	17	30	31	M13.5	10.5kg

**Note:** 1) Material: M.Steel H.D.G.  
or : Aluminium Tube



### Corona Ring For Horizontal/Vertical Protection

Catalogue No.	A	B	C	D	E	F	Unit Weight
H33312	900	730	1326	40	17	M12	15.0kg
H33322	900	730	1326	40	17	M12	15.0kg

**Note:** 1) Material: M.Steel H.D.G.  
or : Aluminium Tube