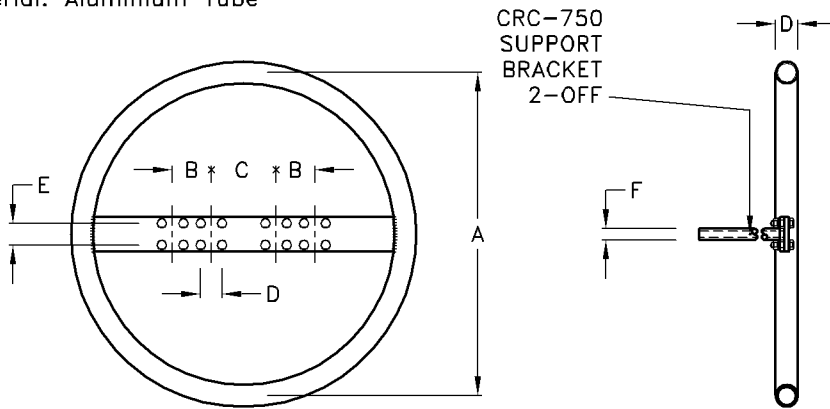


Tear Drop Corona Ring

Type No.	Catalogue No.	A	B	C	D	E	F	Unit Weight
CRSTU-L/H	H33143	1000	520	40	63.7	M12	17	1.10kg
CRSTU-R/H	H33153	1000	520	40	63.7	M12	17	1.10kg

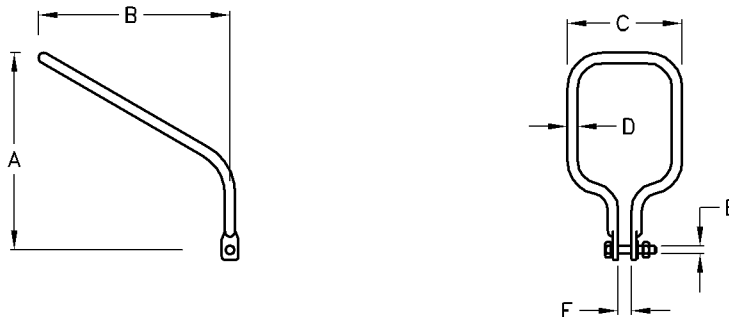
Note: 1) Material: Aluminium Tube



Universal Corona Ring

Type No.	Catalogue No.	A	B	C	D	E	F	Unit Weight
CRC-750	H33163	750	90	150	51	50	26	1.20kg

Note: 1) Material: Aluminium Tube



Racket Corona Ring

Type No.	Catalogue No.	A	B	C	D	E	F	Unit Weight
CR-RAC1	B33203	441	154	170	16	M12	20	2.70kg

Note: 1) Material: M.Steel Solid Rod
2) Other sizes of Corona Rackets available on request.