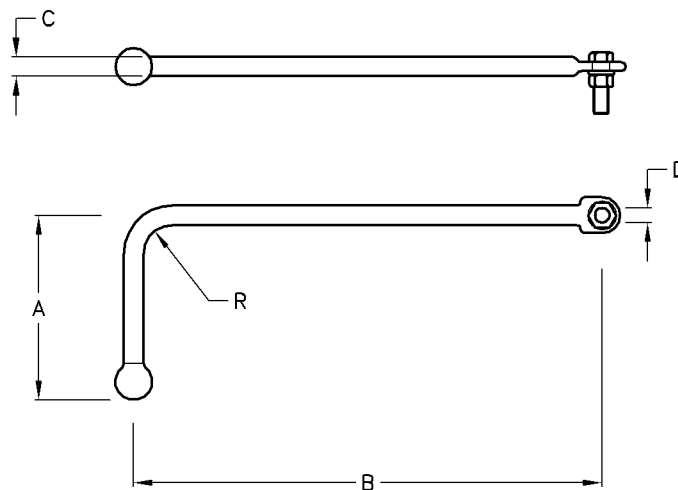


Arcing Horns Single Upper

Type No.	Catalogue No.	A	B	C	D	R	Unit Weight
AH-SU 150	B30602	150	380	16	M12	80	1.10kg

Note: 1) Arcing horns will be supplied to suit specific requirements.
2) Material: F.Steel H.D.G.



Arcing Horn Single Bottom

Type No.	Catalogue No.	A	B	C	D	R	Unit Weight
AH-SB 203	B30613	203	380	16	M12	80	1.20kg

Note: 1) Material: F.Steel H.D.G.