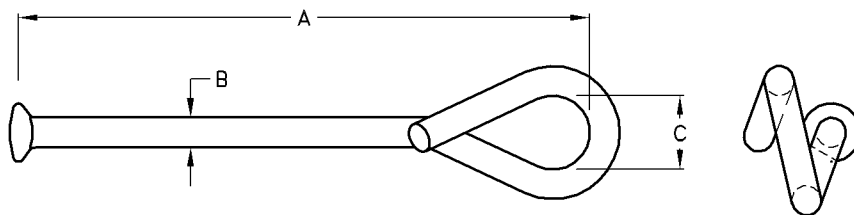


Pigtail Bolt Assembly

Catalogue No.	A	B	Nut	Flat Washer	Spring Washer	Curved Washers	Unit Weight
B39432	M12	380	Sizes are as per customer requirements				Variable
B39442	M16	380					Variable

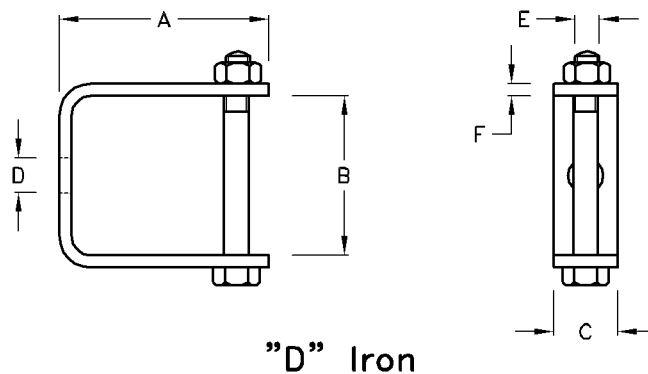
- Note :**
- 1) Material: M.Steel H.D.G.
 - 2) Other lengths are available on request.
 - 3) Eye bolts may also be supplied with square curved washers, spring washers and additional nuts



Ball Pigtail Hook

Type No.	Catalogue No.	A	B	C	U.T.S. (kN)	Unit Weight
UC-28	B39422	200	16	30	40kN	1.10kg

- Note :**
- 1) Material: D.F.Steel H.D.G.
 - 2) Other lengths are available on request.



Type No.	Catalogue No.	A	B	C	D	E	F	Unit Weight
S01-MD	B31593	120	91	50	17.5	M16X125	6	0.60kg
S03-MD	B31583	85	58	38	17.5	M10X90	5	0.35kg
S05-MD	B32843	106	79	38	17.5	M12X107	5	0.46kg

- Note :**
- 1) Material: M.Steel H.D.G.
- : Bolt & Nut H.T.Steel 8.8 H.D.G.