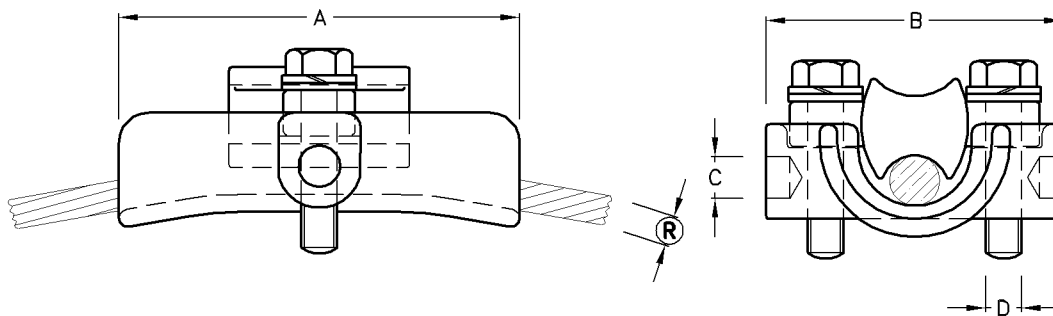


### Angled Trunnion Clamp For Line Post Insulator

| Type No.  | Catalogue No. | CONDUCTOR <sup>®</sup><br>Min.—Max. | A   | B   | C   | D   | U.T.S<br>(kN) | Unit Weight |
|-----------|---------------|-------------------------------------|-----|-----|-----|-----|---------------|-------------|
| ATC-13/27 | C783923       | 13-27                               | 134 | 100 | ∅16 | M12 | 1.30          | 0.60kg      |
| ATC-18/38 | C783963       | 18-38                               | 134 | 100 | ∅16 | M12 | 1.30          | 0.90kg      |

**Note:** 1) Material: Cast Aluminium  
: Bolts & Nuts H.T.Steel H.D.G.



### Trunnion Clamp For Line Post Insulator

| Type No. | Catalogue No. | CONDUCTOR <sup>®</sup><br>Min.—Max. | A   | B   | C  | D   | U.T.S<br>(kN) | Unit Weight |
|----------|---------------|-------------------------------------|-----|-----|----|-----|---------------|-------------|
| TC-6/17  | C783993       | 6-17                                | 134 | 100 | 16 | M12 | 1.30          | 0.55kg      |
| TC-18/38 | C783943       | 18-38                               | 134 | 100 | 16 | M12 | 1.30          | 0.75kg      |
| TC-39/51 | C783983       | 39-51                               | 130 | 100 | 16 | M12 | 1.30          | 0.90kg      |

**Note:** 1) Material: Cast Aluminium  
: Bolts & Nuts H.T.Steel H.D.G.