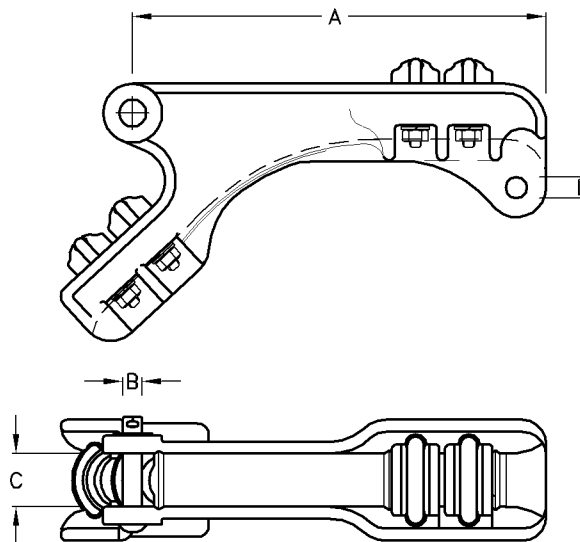


Strain Clamp Aluminium Pistol Type

Type No.	Catalogue No.	CONDUCTOR Min.-Max.	A	B	C	D	R	No OF "U"-Bolts	U.T.S (kN)	Unit Weight
SC-120	B35103	5-16	126	150	18	16	64	3-M12	70	1.20kg
SC-121	B30143	5-17	126	118	19	16	63	2-M12	70	1.00kg
SC-123	B30013	5-21	140	150	22	16	70	3-M12	70	1.20kg
SC-124	B30023	10-24	180	150	25	16	70	3-M12	70	1.20kg

Note: 1) Material: Cast Aluminium
: U Bolts & Nuts M.Steel H.D.G.
: Clevis Pin D.F.Steel H.D.G.



Strain Clamp Aluminium Pistol Type

Type No.	Catalogue No.	Conductor Min.-Max.	A	B	C	D	No OF "U"-Bolts	U.T.S (kN)	Unit Weight
STA-20/30	H30043	20-30	280	16	35	28	4-M12	70	3.40kg
STA-30/40	H30053	30-40	350	16	41	28	4-M12	70	4.10kg

Note: 1) Material: Cast Aluminium
: U Bolts & Nuts M.Steel H.D.G.
: Clevis Pin D.F.Steel H.D.G.