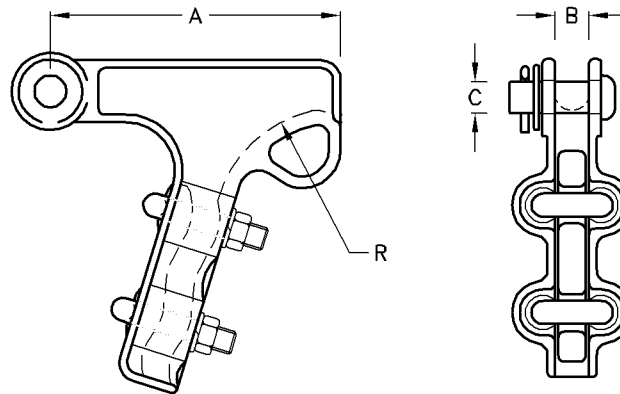


3-Bolt Type



2-Bolt Type

Strain Clamp Steel Pistol Type

Type No.	Catalogue No.	CONDUCTOR Min.-Max.	A	B	C	R	No OF "U"-Bolts	U.T.S (kN)	Unit Weight
D-401	B30113	5-17	150	17.5	16	70	2-M12	70	1.70kg
D-402	B30123	5-17	203	17.5	16	95	3-M12	70	4.30kg
BMEA9	B30133	19-30	222	33	16	85	3-M12	70	3.60kg

Note: 1) Material: Malleable Cast Iron H.D.G.
: U Bolts & Nuts M.Steel H.D.G.
: Clevis Pin D.F.Steel H.D.G.