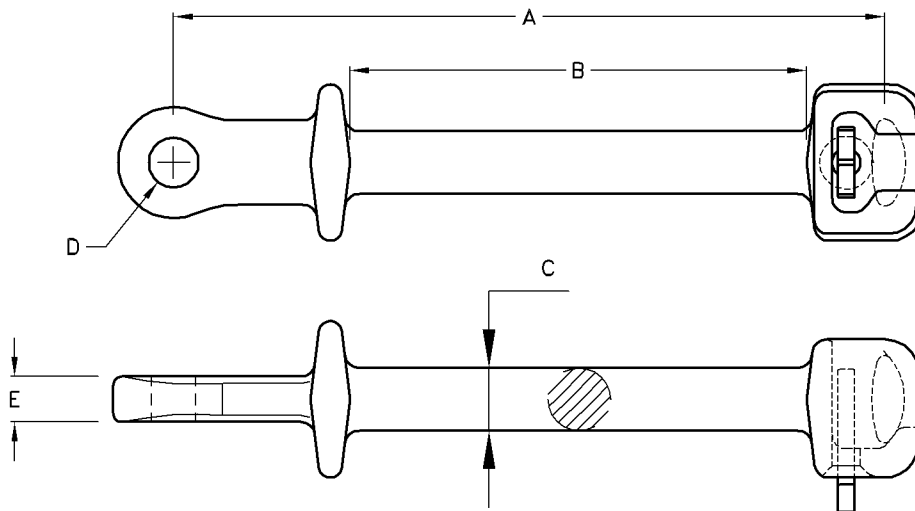


Twisted Socket Tongue Arcing Horn Type

Type No.	Catalogue No.	I.E.C. Socket	A	B	C	D	E	U.T.S (kN)	Unit Weight
ST-120 A/H	H30473	16B	125	60	13.5	17.5	16	120	0.90kg
ST-210 A/H	H300393	20	120	65	13.5	21.5	19	210	1.45kg

Note: 1) Material: D.F.Steel H.D.G.



Socket Tongue Hot Line Maintenance

Type No.	Catalogue No.	I.E.C. Socket	A	B	C	D	E	U.T.S (kN)	Unit Weight
ST-120 HLM	H300303	16B	245	160	22	17.5	16	120	1.25kg
ST-210 HLM	H300343	20	250	160	22	21.5	20	210	2.30kg

Note: 1) Material: D.F.Steel H.D.G.