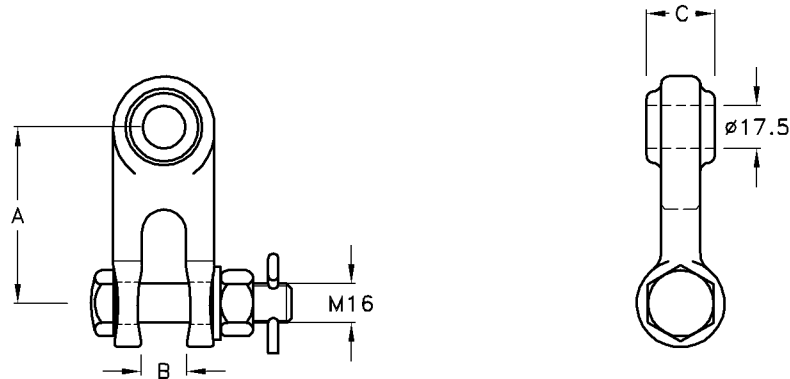


Twisted Clevis Tongue Pin Type

Type No.	Catalogue No.	A	B	C	U.T.S (kN)	Unit Weight
TCT 70/16	B30503	72	19	16	70	0.60kg
TCT 70/28	B30513	72	19	28	70	0.63kg
TCT 70/38	B30523	72	19	38	70	0.65kg

- Note:** 1) Material: D.F.Steel H.D.G.
 2) Can be supplied either with split cotter pin or hump back split pin.
 To be specified.



Twisted Clevis Tongue Bolt Type

Type No.	Catalogue No.	A	B	C	U.T.S (kN)	Unit Weight
TCT 120/16	B30533	72	19	16	120	0.63kg
TCT 120/28	B30543	72	19	28	120	0.65kg
TCT 120/38	B30553	72	19	38	120	0.70kg

- Note:** 1) Material: D.F.Steel H.D.G.
 : Bolt H.T.Steel 8.8 H.D.G.
 2) Can be supplied either with split cotter pin or hump back split pin.
 To be specified.