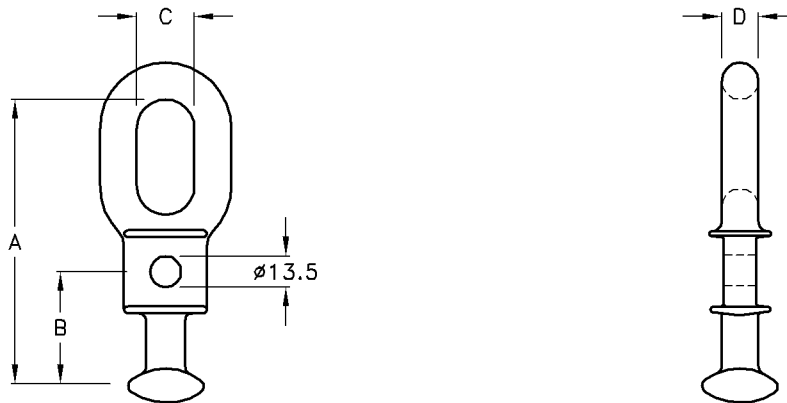


### Ball Oval Eye

Type No.	Catalogue No.	I.E.C. Ball	A	B	C	D	U.T.S (kN)	Unit Weight
BOE-120	B30382	16B	96	50	25	16	120	0.40kg
BOE-210	B300322	20	115	63	28	16	210	0.50kg

**Note:** 1) Material: D.F.Steel H.D.G.



### Ball Oval Eye Arcing Horn Type

Type No.	Catalogue No.	I.E.C. Ball	A	B	C	D	U.T.S (kN)	Unit Weight
BOE-A/H120	B30392	16B	124	50	25	16	120	0.50kg
BOE-A/H210	B300382	20	155	60	28	16	210	0.80kg

**Note:** 1) Material: D.F.Steel H.D.G.