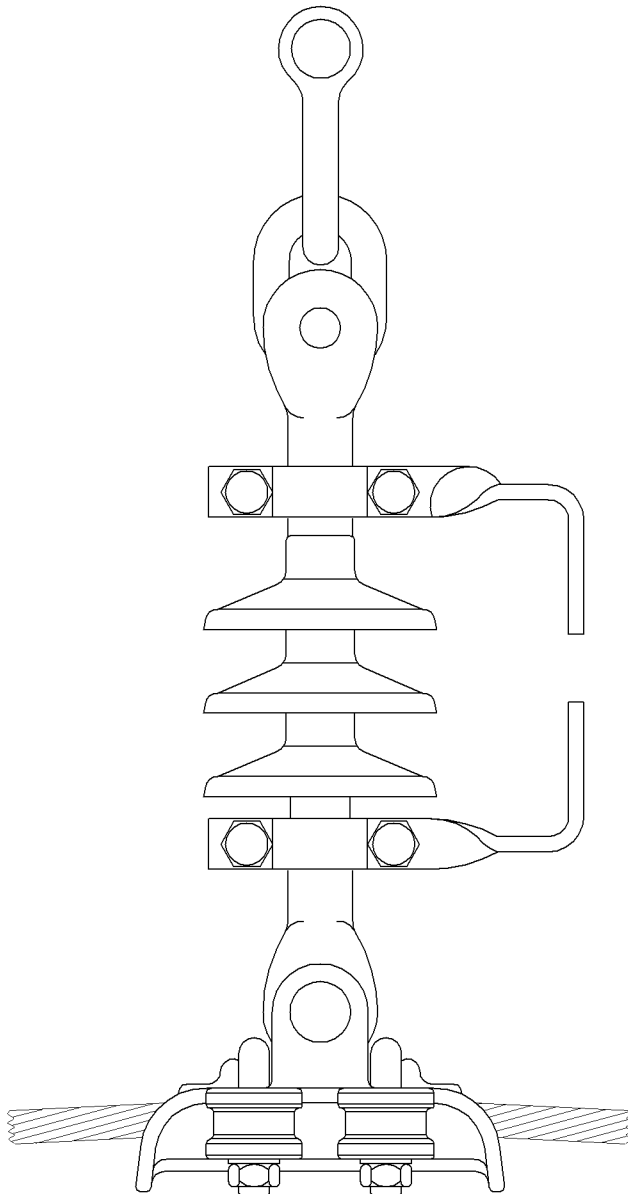


**Single Suspension Earth Wire
Assembly**



**Single Insulated Suspension Earth Wire
Assembly**