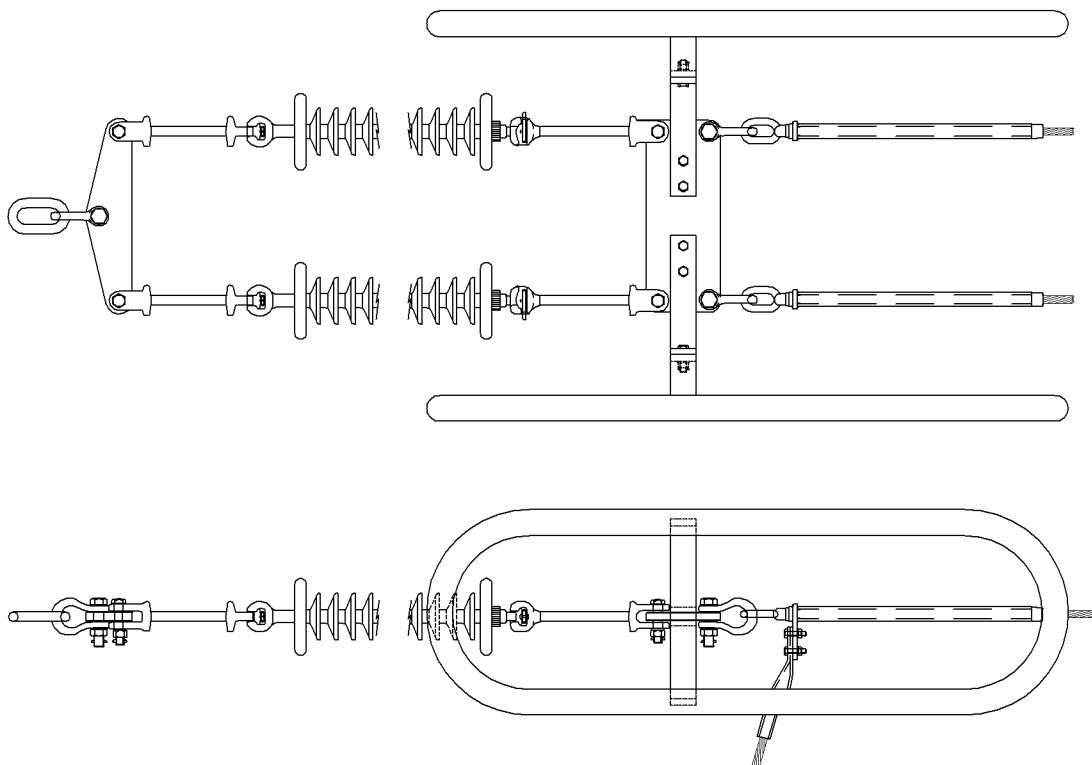


Twin Strain Twin Conductor Assembly



Twin Strain Twin Conductor Assembly