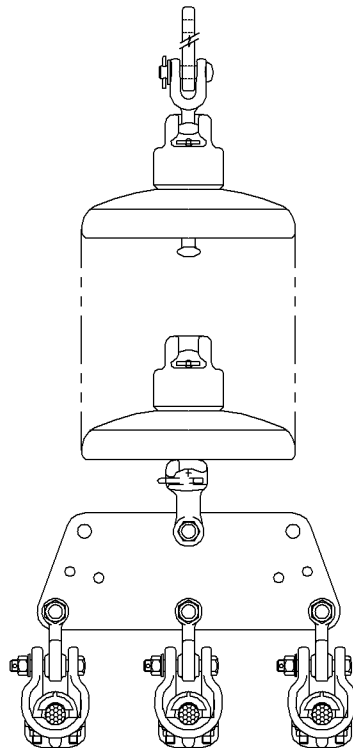


Single Suspension Twin Conductor
Assembly



Single Suspension Triple Conductor
Assembly