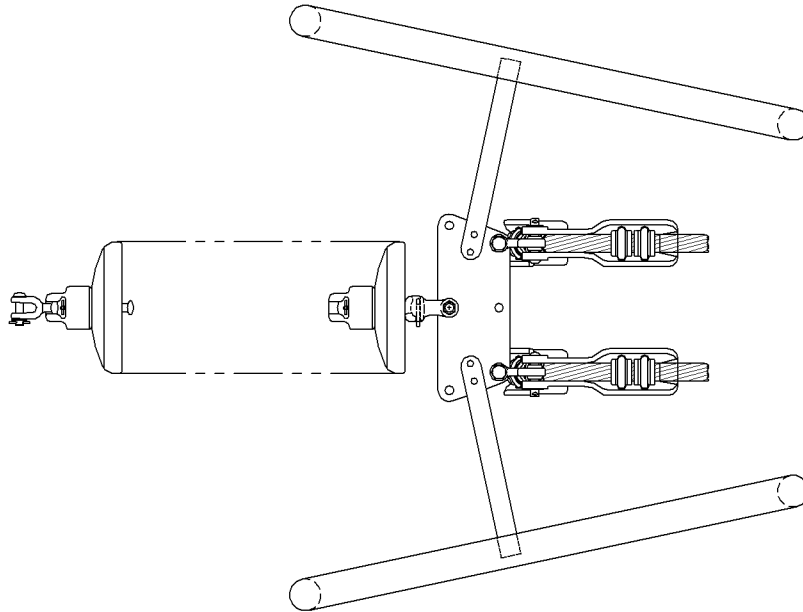
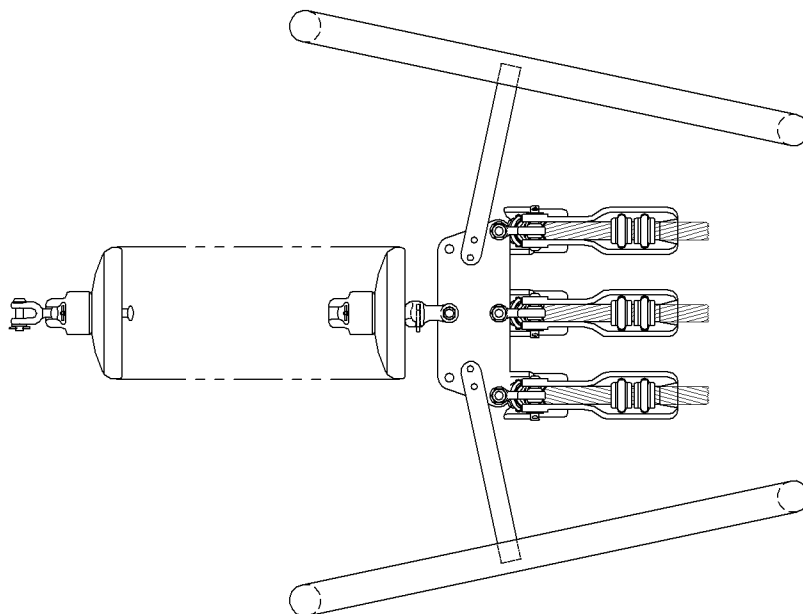


Single Strain Assembly



Single Strain Twin Conductor Assembly



Single Strain Triple Conductor Assembly