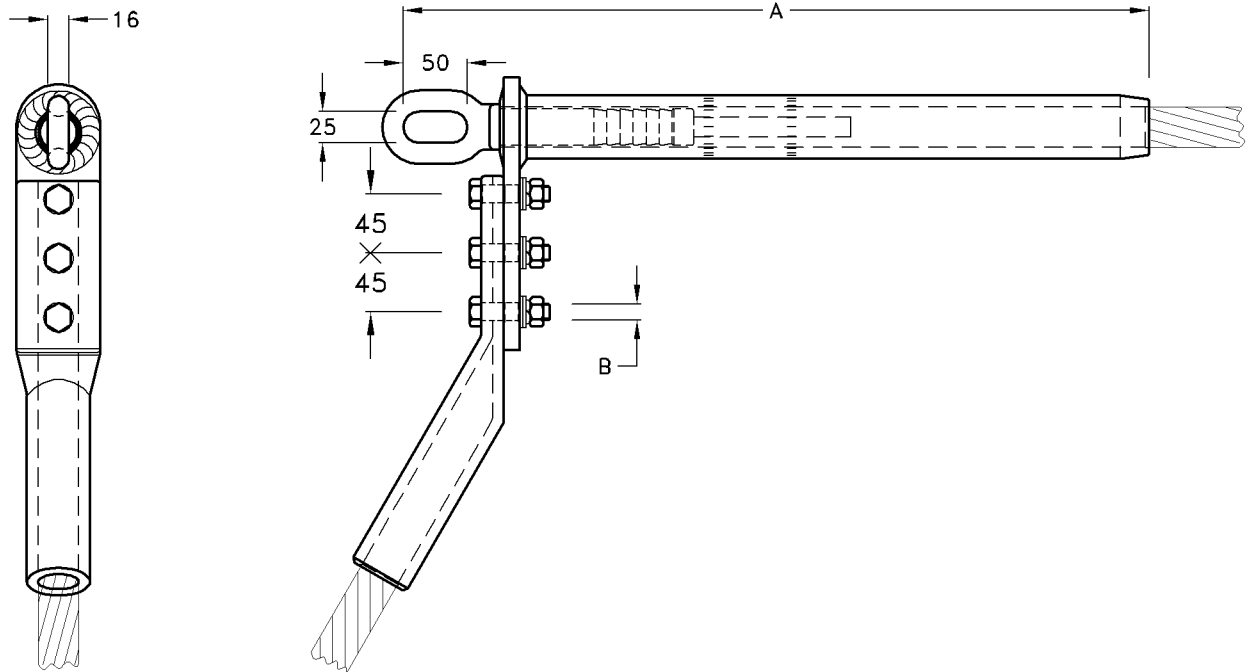




**McWade**  
Productions

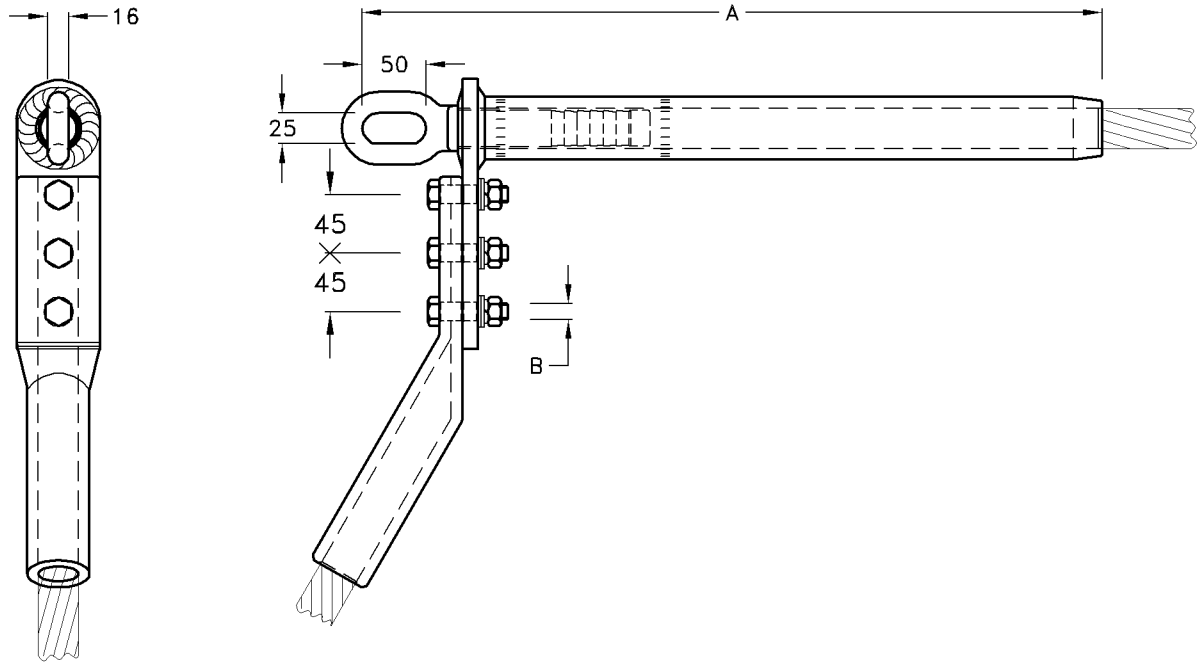
**Compression Fittings**  
**Catalogue**



## Compression Dead Ends For ACSR Conductors

Conductor		Catalogue No.	A	B	A/F		Alcan Die		UTS Cond. kN	Unit Weight
Name	Dia.				Alu.	Stl.	Alu.	Stl.		
Fox	8.38	L4011013	415	2XM12	13.5	6.0	BIMETAL 4E		13.24	1.05kg
Mink	10.98	L4011023	415	2XM12	17.0	7.2	DA5		22.07	1.15kg
Horse	13.95	L4011293	465	2XM12	25.4	12.7	DA7	DS8	59.85	1.83kg
Dog	14.17	L4011303	465	2XM12	25.4	10.1	DA7	DS7	32.48	1.88kg
Hare	14.21	L4011033	465	2XM12	25.4	10.1	DA7	DS7	37.42	1.30kg
Leopard	15.81	L4011133	465	2XM12	25.4	12.7	DA7	DS8	40.65	1.92kg
Tiger	16.53	L4011173	465	2XM12	25.4	12.7	DA7	DS8	56.52	1.30kg
Wolf	18.13	L4011043	470	2XM12	28.2	12.7	DA8	DS8	67.50	1.30kg
Chickadee	18.87	L4011053	470	2XM12	28.2	12.7	DA8	DS8	44.68	1.99kg
Lynx	19.56	L4011143	470	2XM12	28.2	12.7	DA8	DS8	78.00	2.00kg
Pelican	20.67	L4011333	515	2XM12	28.2	12.7	DA8	DS8	52.83	2.10kg
Panther	21.00	L4011063	515	2XM12	32.3	15.2	DA9	DS9	89.92	2.10kg
Bear	23.47	L4011073	555	2XM12	32.3	16.1	DA9	DS10	111.13	2.00kg
Kingbird	23.87	L4011083	555	2XM12	32.3	12.7	DA9	DS8	69.80	2.00kg
Goat	25.96	L4011093	570	3XM12	36.2	16.1	DA10	DS10	135.0	2.20kg
Bison	26.97	L4011183	570	3XM12	36.2	16.1	DA10	DS10	116.60	2.20kg
Tern	27.00	L4011323	570	3XM12	40.2	12.7	DA11	DS8	101.91	2.35kg
Zebra	28.56	L4011103	570	3XM12	40.2	16.1	DA11	DS10	130.49	2.45kg
Bersford	35.56	L4011123	565	4XM12	49.7	16.1	DA13	DS10	177.64	3.25kg
Dinosaur	35.94	L4011113	565	4XM12	49.7	20.2	DA13	DS12	180.64	3.25kg

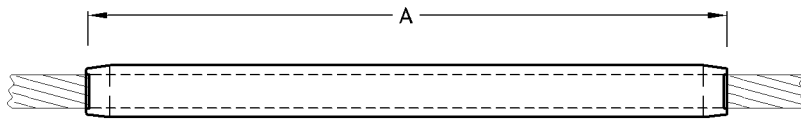
- Note:** 1) Compression tubes are marked showing conductor name, crimp positions and die size.  
 2) Other conductor sizes are available on request.  
 3) Material: Extruded Aluminium.  
       : Eye Bolt—D.F.Steel H.D.G.  
       : Bolts & Nuts—Steel H.D.G.



## Compression Dead Ends For AAAC Conductors

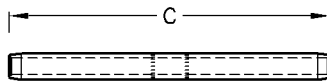
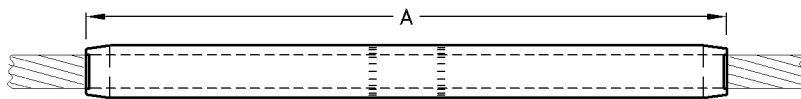
Conductor		Catalogue No.	A	B	A/F	Alcan Die	UTS Cond. kN	Unit Weight
Name	Dia.							
Pine	10.82	L4011003	415	2XM12	17.0	DA5	20.37	1.15kg
Oak	13.94	L4011163	465	2XM12	25.4	DA7	33.80	1.70kg
Mulberry	15.87	L4011193	465	2XM12	25.4	DA7	41.90	1.73kg
Hornet	16.25	L4011213	465	2XM12	25.4	DA7	25.27	1.75kg
Ash	17.40	L4011223	465	2XM12	25.4	DA7	50.20	1.80kg
Elm	18.80	L4011393	465	2XM12	28.2	DA8	58.70	1.85kg
Poplar	20.09	L4011243	515	2XM12	28.2	DA8	64.00	1.85kg
Cockroach	21.10	L4011413	515	2XM12	32.3	DA9	40.52	1.90kg
Sycamore	22.58	L4011383	515	2XM12	32.3	DA9	80.50	1.93kg
Upas	24.71	L4011263	555	3XM12	36.2	DA10	96.50	2.10kg
Centipede	26.49	L4011203	555	3XM12	36.2	DA10	67.20	2.20kg
Yew	28.44	L4011233	555	3XM12	40.2	DA11	128.1	2.34kg
Bull	38.30	L4011273	565	4XM12	49.7	DA13	138.0	3.06kg

- Note:** 1) Compression tubes are marked showing conductor name, crimp positions and die size.  
 2) Other conductor sizes are available on request.  
 3) Material: Extruded Aluminium.  
       : Eye Bolt—D.F.Steel H.D.G.  
       : Bolts & Nuts—Steel H.D.G.



## Full Tension Compression Mid Span Joint For AAAC Conductors

Conductor		Catalogue No.	A	A/F	Alcan Die	UTS Cond. kN	Unit Weight
Name	Dia.						
Oak	13.94	L402223	460	25.4	DA7	33.80	0.40kg
Mulberry	15.87	L402143	460	25.4	DA7	41.90	0.50kg
Hornet	16.25	L402303	460	25.4	DA7	25.27	0.50kg
Ash	17.40	L402313	460	25.4	DA7	52.20	0.51kg
Elm	18.80	L402273	460	28.2	DA8	58.70	0.65kg
Poplar	20.09	L402343	510	28.2	DA8	64.00	0.98kg
Cockroach	21.10	L402393	510	32.3	DA9	40.52	0.98kg
Sycamore	22.58	L402353	510	32.3	DA9	80.50	0.86kg
Upas	24.71	L402233	600	36.2	DA10	96.50	1.32kg
Centipede	26.49	L402363	600	36.2	DA10	67.02	1.43kg
Yew	28.44	L402373	720	40.2	DA11	128.1	2.05kg
Bull	38.30	L402383	780	49.7	DA13	138.0	3.25kg

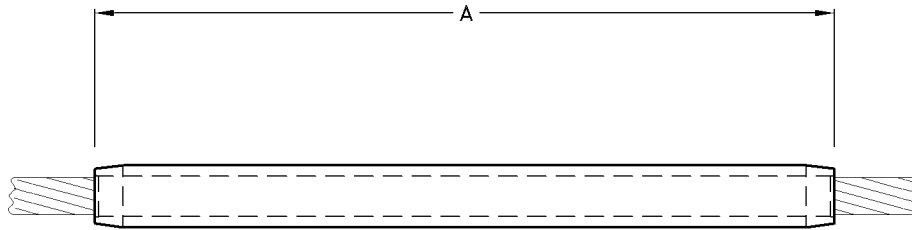


INSERT

## Full Tension Compression Mid Span Joint For ACSR Conductors

Conductor		Catalogue No.	A	C	A/F		Alcan Die		UTS Cond. kN	Unit Weight
Name	Dia.				Alu.	Stl.	Alu.	Stl.		
Horse	13.95	L402163	550	180	25.4	12.7	DA7	DS8	59.85	1.76kg
Dog	14.17	L402173	550	180	25.4	10.1	DA7	DS7	32.48	1.45kg
Hare	14.16	L402033	550	180	25.4	10.1	DA7	DS7	37.42	1.01kg
Leopard	15.81	L402183	550	180	25.4	12.7	DA7	DS8	40.65	1.92kg
Tiger	16.53	L402413	550	180	25.4	12.7	DA7	DS8	65.30	1.94kg
Wolf	18.13	L402043	550	180	28.2	12.7	DA8	DS8	67.50	1.96kg
Chickadee	18.87	L402133	550	180	28.2	12.7	DA8	DS8	44.68	1.99kg
Lynx	19.53	L402293	550	180	28.2	12.7	DA8	DS8	78.00	2.00kg
Panther	21.00	L402063	610	240	32.3	15.2	DA9	DS9	89.92	2.01kg
Bear	23.47	L402073	630	240	32.3	16.1	DA9	DS10	111.13	3.07kg
Goat	25.97	L402093	685	240	36.2	16.1	DA10	DS10	135.0	2.79kg
Tern	27.00	L402213	720	180	40.2	12.7	DA11	DS8	101.97	2.87kg
Zebra	28.56	L402103	720	240	40.2	16.1	DA11	DS10	130.49	2.71kg
Dinosaur	35.56	L402113	780	260	49.7	20.2	DA13	DS12	180.64	5.71kg

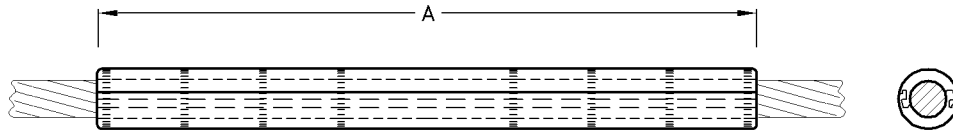
- Note:** 1) Compression tubes are marked showing conductor name, crimp positions and die size.  
 2) Other conductor sizes are available on request.  
 3) Material: Extruded Aluminium.  
       : Steel Inserts—D.F.Steel H.D.G.



## Non-Tension Compression Joint For AAAC And ACSR Conductors

Conductor		Catalogue No.	A	A/F	Alcan Die	UTS Cond. kN	Unit Weight
Name	Dia.						
Horse	13.95	L101323	140	25.4	DA7	59.85	0.20kg
Dog	14.17	L101333	140	25.4	DA7	32.48	0.20kg
Leopard	15.81	L101343	140	25.4	DA7	40.65	0.20kg
Mulberry	15.87	L101353	150	25.4	DA7	41.90	0.25kg
Hornet	16.25	L101403	150	25.4	DA7	25.27	0.25kg
Ash	17.40	L101373	150	25.4	DA7	50.20	0.27kg
Wolf	18.13	L101313	150	28.2	DA8	67.50	0.27kg
Elm	18.80	L101363	150	28.2	DA8	58.70	0.27kg
Chickadee	18.87	L101383	150	28.2	DA8	44.68	0.27kg
Lynx	19.53	L101393	150	28.2	DA8	78.91	0.27kg
Poplar	20.09	L101503	150	32.3	DA9	64.00	0.20kg
Panther	21.00	L101413	150	32.3	DA9	89.92	0.26kg
Cockroach	21.10	L101423	150	32.3	DA9	40.52	0.28kg
Sycamore	22.58	L101433	150	32.3	DA9	80.50	0.28kg
Bear	23.47	L101443	150	32.3	DA9	111.13	0.28kg
Kingbird	23.87	L101633	150	32.3	DA9	69.80	0.28kg
Upas	24.71	L101453	200	36.2	DA10	96.50	0.34kg
Goat	25.97	L101463	200	36.2	DA10	135.0	0.34kg
Centipede	26.49	L101473	200	36.2	DA10	67.20	0.45kg
Tern	27.00	L101483	200	40.2	DA11	101.91	0.45kg
Yew	28.44	L101493	200	40.2	DA11	128.1	0.60kg
Zebra	28.56	L101613	200	40.2	DA11	130.49	0.60kg
Dinosaur	35.56	L101623	250	49.7	DA13	180.64	1.06kg
Bull	38.30	L101603	250	49.7	DA13	138.0	1.06kg

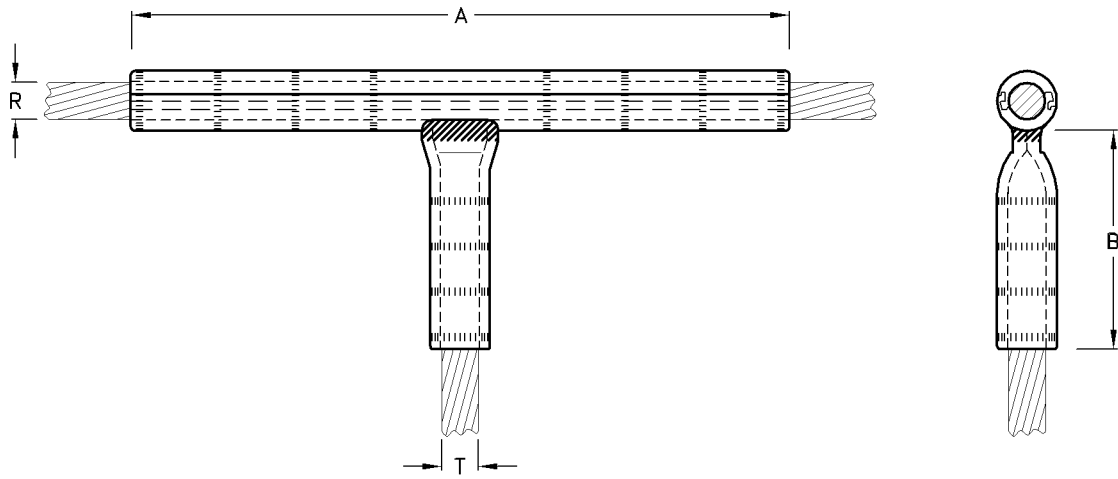
- Note:** 1) Compression tube is marked showing conductor name, crimp positions and die size.  
 2) Other conductor sizes are available on request.  
 3) Material: Extruded Aluminium.



## Non-Tension Compression Repair Sleeve

Conductor		Catalogue No.	A	A/F	Alcan Die	UTS Cond. kN	Unit Weight
Name	Dia.						
Fox/Fir	9.00	L108103	195	13.5	DA4/4E	13.24	0.22kg
Mink/Pine	12.00	L108203	195	17.0	DA5	22.07	0.22kg
Horse	13.95	L408293	195	21.5	DA6	59.85	0.22kg
Dog	14.17	L408213	195	25.4	DA7	32.48	0.22kg
Hare/Oak	15.00	L108303	195	25.4	DA7	37.42	0.22kg
Leopard	15.81	L408363	195	25.4	DA7	40.65	0.22kg
Mulberry	15.87	L408233	195	25.4	DA7	41.90	0.22kg
Hornet	16.25	L408243	195	25.4	DA7	25.27	0.22kg
Ash	17.40	L408253	195	25.4	DA7	50.20	0.50kg
Wolf	18.13	L408043	250	28.2	DA8	67.50	0.30kg
Elm	18.80	L408263	250	28.2	DA8	58.70	0.40kg
Chickadee	18.87	L408123	250	28.2	DA8	44.68	0.40kg
Lynx	19.53	L408273	250	28.2	DA8	78.91	0.45kg
Poplar	20.09	L408283	250	32.3	DA9	64.00	0.50kg
Panther	21.00	L408063	250	32.3	DA9	89.92	0.50kg
Cockroach	21.10	L408353	250	32.3	DA9	40.52	0.54kg
Sycamore	22.58	L408133	250	32.3	DA9	80.50	0.53kg
Bear	23.47	L408073	250	32.3	DA9	111.13	0.54kg
Kingbird	23.87	L408083	250	32.3	DA9	69.80	0.54kg
Upas	24.71	L408223	250	36.2	DA10	96.50	0.55kg
Goat	25.97	L408093	250	36.2	DA10	135.0	0.55kg
Centipede	26.49	L408323	250	36.2	DA10	67.20	0.55kg
Tern	27.00	L408333	250	40.2	DA11	101.91	0.89kg
Yew	28.44	L408343	250	40.2	DA11	128.1	0.89kg
Zebra	28.56	L408103	250	40.2	DA11	130.49	0.89kg
Dinosaur	35.56	L408113	250	49.7	DA13	180.64	1.03kg
Bull	38.30	L408143	250	49.7	DA13	138.0	1.03kg

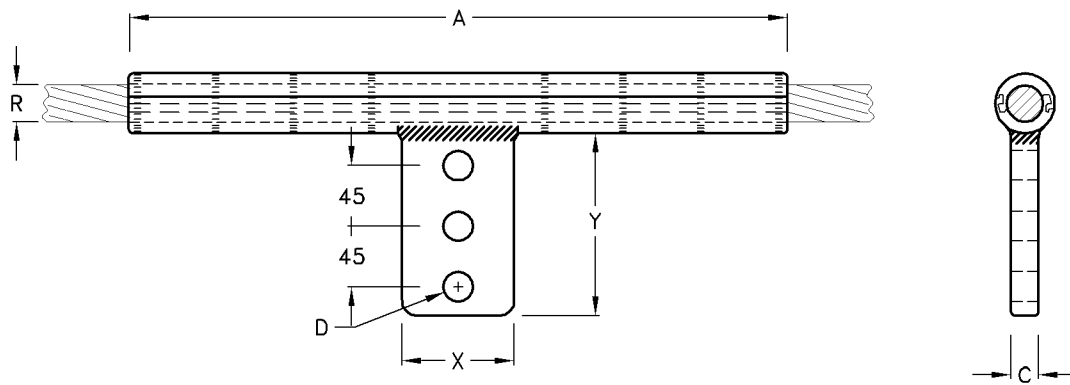
- Note:** 1) Compression tubes are marked showing conductor name, crimp positions and die size.  
 2) Other conductor sizes are available on request.  
 3) Material: Extruded Aluminium.



## Non-Tension Compression Tap Connector Tee-off

Catalogue No.	Cond. R		A/F	Alcan Die	Cond. T		A/F	Alcan Die	A	B	Unit Weight
	Name	Dia.			Name	Dia.					
L404043	Wolf	18.13	28.2	DA8	Wolf	18.13	28.2	DA8	300	150	0.63kg
L404143	Wolf	18.13	28.2	DA8	Mink	10.98	17.0	DA5	300	150	0.43kg
L404243	Wolf	18.13	28.2	DA8	Fox	8.38	13.1	DA4	300	150	0.42kg
L404013	Chickadee	18.87	28.2	DA8	Chickadee	18.87	28.2	DA8	300	150	0.43kg
L404023	Chickadee	18.87	28.2	DA8	Hare	14.16	25.4	DA7	300	150	0.55kg
L404063	Panther	21.00	32.3	DA9	Panther	21.00	32.3	DA9	300	150	0.65kg
L404073	Bear	23.47	32.3	DA9	Bear	23.47	32.3	DA9	300	150	0.77kg
L404083	Kingbird	23.87	32.3	DA9	Kingbird	23.87	32.3	DA9	300	150	0.77kg
L404213	Upas	24.71	36.2	DA10	Upas	24.71	36.2	DA10	300	150	0.97kg
L404093	Goat	25.97	36.2	DA10	Goat	25.97	36.2	DA10	300	150	0.97kg
L404103	Zebra	28.62	40.2	DA11	Zebra	28.62	40.2	DA11	300	150	1.49kg
L404113	Dinosaur	35.56	49.7	DA13	Dinosaur	35.56	49.7	DA13	300	150	1.80kg
L404033	Bull	38.30	49.7	DA13	Bull	38.30	49.7	DA13	300	150	1.80kg

- Note:** 1) Compression tubes are marked showing conductor name, crimp positions and die size.  
 2) Other conductor sizes and combinations are available on request.  
 3) Material: Extruded Aluminium.

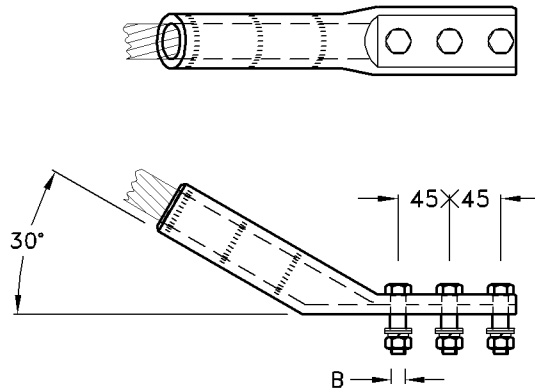


### Non-Tension Compression Tap Connector Tee-off Flag Type

Catalogue No.	Conductor		A/F	Alcan Die	Palm Size		A	C	D	Unit Weight
	Name	Dia.			X	Y				
L107423	Tiger	16.53	25.4	DA7	64	100	300	12	2X13.5	0.53kg
L107483	Wolf	18.13	28.2	DA8	64	100	300	12	2X13.5	0.61kg
L107473	Chickadee	18.87	28.2	DA8	64	100	300	12	2X13.5	0.65kg
L107403	Panther	21.00	32.3	DA9	64	100	300	12	2X13.5	0.75kg
L107413	Bear	23.47	32.3	DA9	64	100	300	12	2X13.5	0.75kg
L107433	Centipede	26.49	36.2	DA10	64	150	300	12	3X13.5	0.89kg
L107443	Zebra	28.56	40.2	DA11	64	150	300	12	3X13.5	1.27kg
L107453	Bull	38.30	49.7	DA13	95	103	300	15	4X13.5	1.49kg

- Note:** 1) Compression tubes are marked showing conductor name, crimp positions and die size.  
 2) Other conductor sizes are available on request.  
 3) Material: Extruded Aluminium.

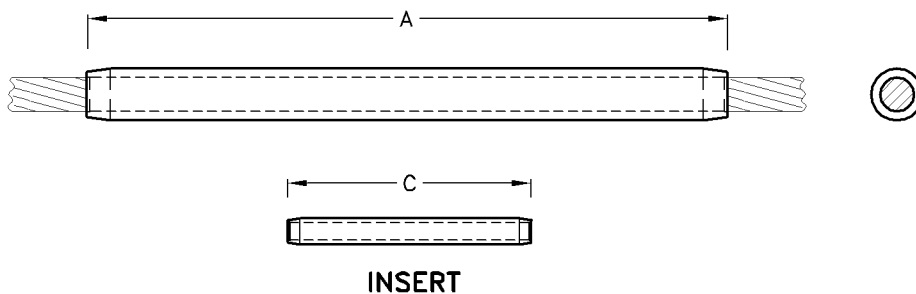




## Compression Jumper Terminal Lugs For Compression Dead Ends

Conductor		Catalogue No.	B	A/F	Alcan Die	Unit Weight
Name	Dia.					
Fox	8.380	L406012	2XM12	13.5	DA4/4E	0.17kg
Mink	10.98	L406022	2XM12	17.0	DA5	0.17kg
Hare	14.16	L406032	2XM12	25.4	DA7	0.22kg
Oak	13.94	L406162	2XM12	25.4	DA7	0.26kg
Horse	13.95	L406222	2XM12	25.4	DA7	0.55kg
Dog	14.17	L406342	2XM12	25.4	DA7	0.65kg
Leopard	15.81	L406382	2XM12	25.4	DA7	0.25kg
Mulberry	15.87	L406192	2XM12	25.4	DA7	0.25kg
Hornet	16.25	L406142	2XM12	25.4	DA7	0.30kg
Ash	17.40	L406232	2XM12	25.4	DA7	0.30kg
Wolf	18.13	L406042	2XM12	28.2	DA8	0.30kg
Elm	18.80	L406202	2XM12	28.2	DA8	0.45kg
Chickadee	18.87	L406052	2XM12	28.2	DA8	0.45kg
Lynx	19.53	L406182	2XM12	28.2	DA8	0.45kg
Poplar	20.09	L406252	2XM12	32.3	DA9	0.54kg
Panther	21.00	L406062	2XM12	32.3	DA9	0.54kg
Cockroach	21.10	L406262	2XM12	32.3	DA9	0.54kg
Sycamore	22.58	L406272	2XM12	32.3	DA9	0.54kg
Bear	23.47	L406072	2XM12	32.3	DA9	0.54kg
Upas	24.71	L406282	3XM12	36.2	DA10	0.68kg
Goat	25.97	L406092	3XM12	36.2	DA10	0.68kg
Centipede	26.49	L406172	3XM12	36.2	DA10	0.68kg
Tern	27.00	L406152	3XM12	40.2	DA11	0.87kg
Yew	28.44	L406292	3XM12	40.2	DA11	0.87kg
Zebra	28.56	L406102	3XM12	40.2	DA11	0.87kg
Dinosaur	35.56	L406112	4XM12	49.7	DA13	1.25kg
Bull	38.30	L406302	4XM12	49.7	DA13	1.25kg

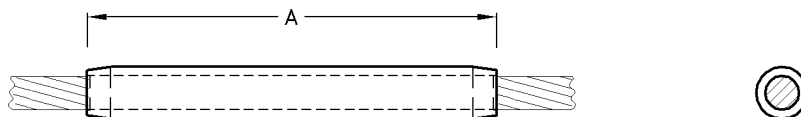
- Note:** 1) Compression tubes are marked showing conductor name, crimp positions and die size.  
 2) Other conductor sizes are available on request.  
 3) Material: Extruded Aluminium.  
       : Bolts & Nuts—Steel H.D.G.



## Full Tension Compression Mid Span Joint Medium Voltage

Conductor Names	Dia.	Catalogue No.	Colour Code	A	C	U.T.S. Of Conductor kN	Unit Weight
Squirrel/Acacia	6.33	L102003	Orange	295	125	18.53	0.25kg
Fox/35mm <sup>2</sup>	8.380	L102103	Blue	295	125	13.24	0.24kg
Mink/Pine	10.98	L102203	Red	330	125	22.07	0.28kg
Hare/Oak	14.16	L102303	Brown	470	125	37.42	0.33kg

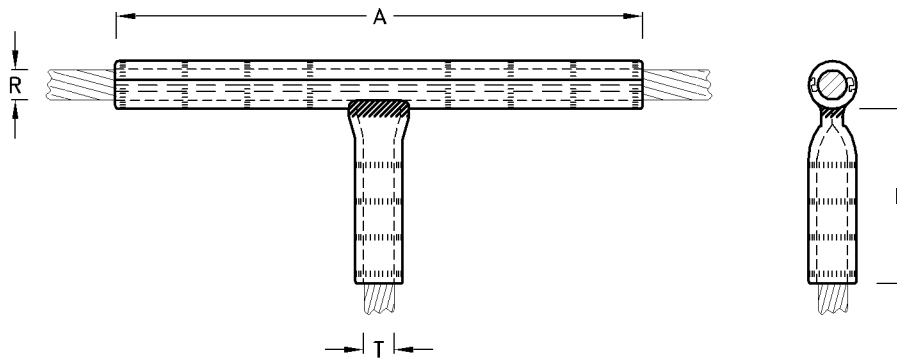
- Note:**
- 1) Use Bimetal 4E-4 Way indent Crimper.
  - 2) Compression tubes are marked showing conductor name, crimp position and crimper.
  - 3) Cu inserts are only required for ACSR conductor.
  - 4) Material: Extruded Aluminium.  
Inner for steel - Copper.



## Non-Tension Compression Joint For ACSR/AAAC Conductors Medium Voltage

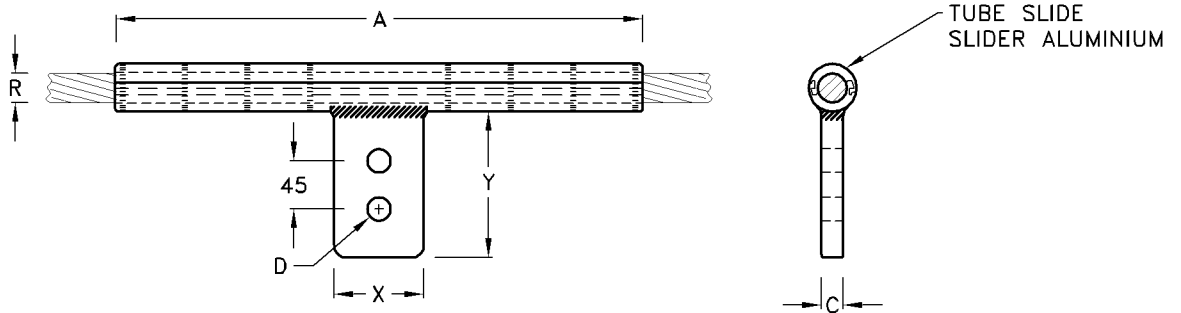
Range Taking Conductor Names	Conductor Range in mm	Catalogue No.	Colour Code	A	Unit Weight
Acacia/Squirrel/Magpie Fox/Fir	4.5 - 9	L101103	Blue/Green Orange	106	0.08kg
Mink/Pine/70mm <sup>2</sup>	7 - 12	L101203	Red	106	0.10kg
Hare/Oak/Mink/Pine	9 - 15	L101303	Red/Brown	140	0.13kg

- Note:**
- 1) Use Bimetal 4E-4 Way indent Crimper.
  - 2) Compression tubes are marked showing conductor name, crimp positions and crimper.
  - 3) Other conductor sizes are available on request.
  - 4) Material: Extruded Aluminium.



### Non-Tension Tap Connector Tee-off Medium Voltage

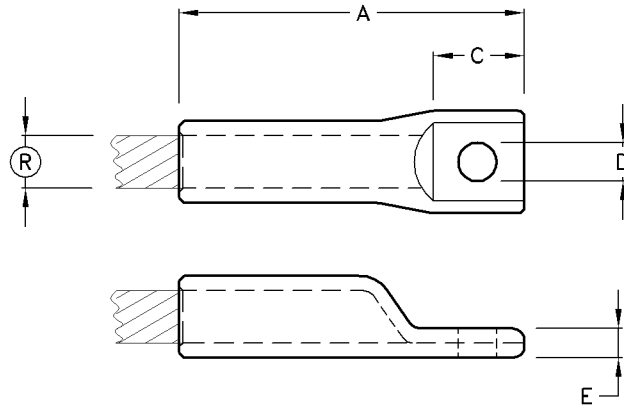
Catalogue No.	Cond. R	Dia./Colour Code	Cond. T	Dia./Colour Code	A	B	Unit Weight
	Name		Name				
L104113	Squirrel/Acacia Magpie/35mm <sup>2</sup> Fox/Fir	4.5-9.0 Blue/Green /Orange	Squirrel/Acacia Magpie/35mm <sup>2</sup> Fox/Fir	4.5-9.0 Blue/Green /Orange	195	90	0.12kg
L104203	Mink/Pine	7.0-12.0 Red	Squirrel/Acacia Magpie/35mm <sup>2</sup> Fox/Fir	4.5-9.0 Blue/Green /Orange	195	90	0.25kg
L104223	Mink/Pine	7.0-12.0 Red	Mink/Pine	7.0-12.0 Red	195	90	0.27kg
L104313	Hare/Oak Mink/Pine	9.0-15.0 Red/Brown	Squirrel/Acacia Fox/Fir/Magpie	4.5-9.0 Blue/Green /Orange	195	90	0.28kg
L104333	Hare/Oak Mink/Pine	9.0-15.0 Red/Brown	Hare/Oak Mink/Pine	9.0-15.0 Red/Brown	195	90	0.32kg



### Non-Tension Tap Connector Tee-off Flag Type Medium Voltage

Catalogue No.	Conductor R	Dia./Colour Code	Palm Size		A	C	D	Unit Weight
			X	Y				
L107103	Squirrel/Acacia Magpie/35mm <sup>2</sup> Fox/Fir	4.5-9.0 Blue/Green /Orange	38	100	195	10	13.5	0.26kg
L107203	Mink/Pine	7.0-12.0/Red	38	100	195	10	13.5	0.27kg
L107303	Hare/Oak	9.0-15/Brown	38	100	195	10	13.5	0.28kg

- Note:** 1) Use Bimetal 4E-4 Way Indent Crimper.  
 2) Compression tubes are marked showing conductor name, crimp positions and crimper.  
 3) Other conductor sizes and combinations are available on request.  
 4) Material: Extruded Aluminium.



### Compression Lugs-1 Hole Medium Voltage

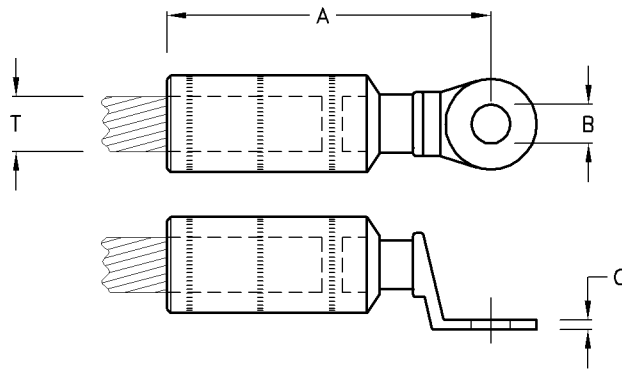
Catalogue No.	Conductor (R)	Dia./Colour Code	A	C	D	E	Unit Weight
L105013	Squirrel/Acacia Magpie Fox/Fir/35	4.5-9.0 Blue/Green /Orange	106	40	M12	8	0.17kg
L105213	Mink/Pine	7.0-12.0/Red	108	40	M12	8	0.19kg
L105313	Hare/Oak	9.0-15/Brown	108	45	M12	10	0.22kg

- Note:** 1) Use Bimetal 4E-4 Way Indent Crimper.  
 2) Compression tubes are marked showing conductor name, crimp positions and crimper.  
 3) Other hole size are available on request.  
 4) Material: Extruded Aluminium.

### Compression Lugs-1 Hole High Voltage

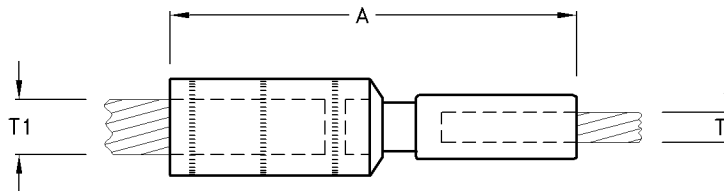
Conductor		Catalogue No.	A	C	D	E	A/F	Alcan Die	Unit Weight
Name	Dia.								
Horse	13.95	L105133	150	45	M12	13	25.4	DA7	0.17kg
Chickadee	18.87	L105663	150	45	M12	12	28.2	DA8	0.17kg
Panther	21.00	L105673	150	45	M12	15	32.3	DA9	0.17kg
Bear	23.47	L105683	150	45	M12	12	32.3	DA9	0.17kg
Kingbird	23.87	L105763	150	45	M12	12	32.3	DA9	0.22kg

- Note:** 1) Compression tubes are marked showing conductor name, crimp positions and die size.  
 2) Other conductor and hole sizes are available on request.  
 3) Compression lugs may also be supplied with a brass insert.  
 4) Material: Extruded Aluminium.



## Non-Tension Compression Lug Bi-Metal Medium Voltage

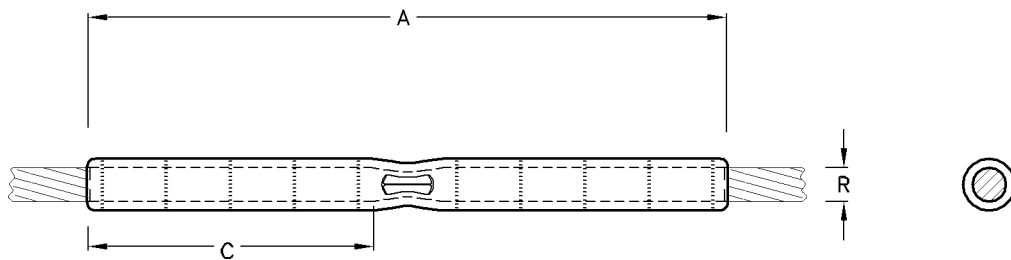
Catalogue No.	Cond. T	Dia./Colour Code	A	Stud Size B	C	Approx. Weight
	Name					
L305113	Squirrel/Acacia Magpie/35mm <sup>2</sup> Fox/Fir	4.5–9.0 Blue/Green /Orange	75	M12	5	0.140kg
L305023	Squirrel/Acacia Magpie/35mm <sup>2</sup> Fox/Fir	4.5–9.0 Blue/Green /Orange	75	M16	5	0.145kg
L305313	Hare/Oak Mink/Pine	9.0–15.0 Red/Brown	100	M12	6	0.195kg
L305223	Hare/Oak Mink/Pine	9.0–15.0 Red/Brown	100	M16	6	0.200kg



## Non-Tension Compression Joint Bi-Metal Medium Voltage

Catalogue No.	Cond. T1(Alu)	Dia./Colour Code	Cond. T2 (Cu)	Dia.	A	Approx. Weight
	Name					
L205253	Squirrel/Acacia Magpie/35mm <sup>2</sup> Fox/Fir	4.5–9.0 Blue/Green /Orange	25mm <sup>2</sup>	6.4	102	0.130kg
L205263	Mink/Pine	7.0–12.0 /Red	50/95mm <sup>2</sup>	9.5–12.8	125	0.140kg
L205373	Hare/Oak	9.0–15.0 /Brown	120mm <sup>2</sup>	14.4	125	0.155kg

- Note:** 1) Use Bimetal 4E-4 Way Indent Crimper.  
 2) Compression tubes are marked showing conductor range/size and crimp positions.  
 3) Other conductor sizes and combinations are available on request.  
 4) Material: Annealed Copper/Aluminium friction welded.

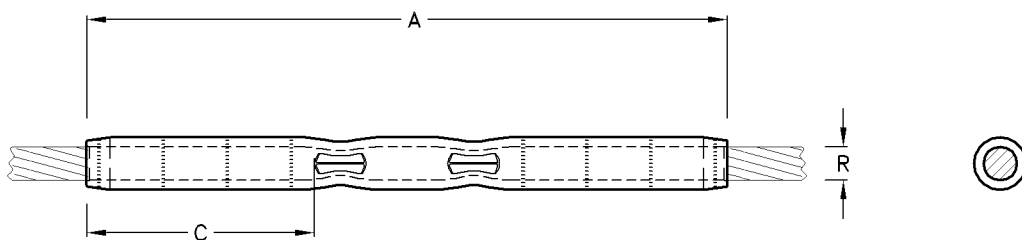


### Copper Full Tension Compression Joint

Type No	Catalogue No.	A	C Conductor Insertion Length	Conductor R Size mm <sup>2</sup>	Dia.	Unit Weight
VCCT 1:1	L202103	150	65	25	6.4	0.10kg
VCCT 1:2	L202203	190	85	35	7.5	0.11kg
VCCT 1:3	L202303	190	85	50/70	9.5–10.9	0.25kg
VCCT 1:4	L202403	220	100	95	12.8	0.40kg
VCCT 1:5	L202503	260	120	120	14.4	0.65kg

### Copper Non-Tension Compression Joint

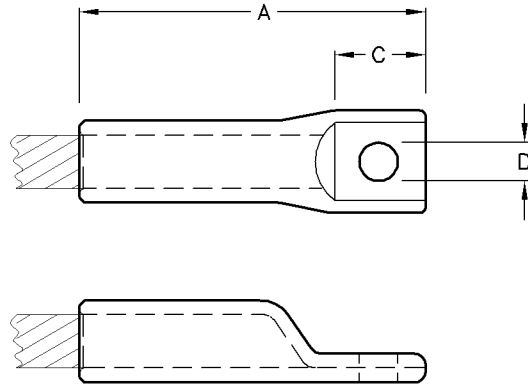
Type No	Catalogue No.	A	C Conductor Insertion Length	Conductor Size mm <sup>2</sup>	Dia.	Unit Weight
VCCN 1:1	L201103	70	25	25	6.4	0.03kg
VCCN 1:2	L201203	110	45	35	7.5	0.05kg
VCCN 1:3	L201303	110	45	50/70	9.3–10.9	0.12kg
VCCN 1:4	L201403	110	45	95	12.8	0.17kg
VCCN 1:5	L201503	110	45	120	14.4	0.25kg



### Copper Mid Span Replacement Joint

Type No	Catalogue No.	A	C Conductor Insertion Length	Conductor R Size mm <sup>2</sup>	Dia.	Unit Weight
VCCMR 1:1	L204103	280	65	25	6.4	0.20kg
VCCMR 1:2	L204203	320	85	35	7.5	0.24kg
VCCMR 1:3	L204303	320	85	50/70	9.3–10.9	0.50kg
VCCMR 1:4	L204403	420	100	95	12.8	0.80kg
VCCMR 1:5	L204503	500	120	120	14.4	1.27kg

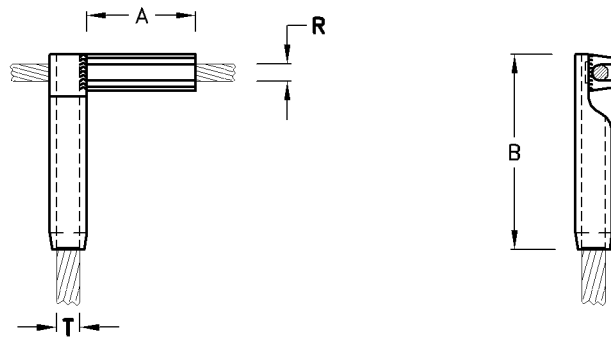
- Note:**
- 1) Use Bimetal 4E-4 Way Indent Crimper.
  - 2) Compression tubes are marked showing conductor size, and crimp positions.
  - 3) Other conductor sizes are available on request.
  - 4) Material: Extruded Copper, Annealed.



## Copper Non Tension Compression Lug

Type No	Catalogue No.	Conductor Size mm <sup>2</sup>	Dia.	A	C	D	Unit Weight
VCCL 1:1	L20512	25	6.4	106	40	M12	0.10kg
VCCL 1:2	L20522	35	7.5	106	40	M12	0.13kg
VCCL 1:3	L20532	50/70	9.3–10.9	110	40	M12	0.15kg
VCCL 1:4	L20542	95	12.8	110	45	M12	0.19kg
VCCL 1:5	L20552	120	14.4	110	45	M12	0.23kg

- Note:** 1) Compression tubes are marked showing conductor size and crimp positions.  
 2) Other conductor and hole sizes are available on request.  
 3) Material: Extruded Copper, Annealed.



## Aluminium Non-Tension Angle Tap Compression Joint

Type No	Catalogue No.	Cond. (R)	Dia.	Cond. (T)	Dia.	A	B	Unit Weight
VCATC	L103003	Squirrel	6.3	Squirrel	6.3	50	90	0.10kg
VCATC	L103103	Fox/Fir	8.3	Squirrel	6.3	50	90	0.13kg
VCATC	L103113	Fox/Fir	6.3	Fox/Fir	6-8	50	90	0.14kg
VCATC	L103203	Mink/Pine	7-12	Squirrel	6.3	50	90	0.18kg
VCATC	L103213	Mink/Pine	7-12	Fox/Fir	6-8	50	90	0.19kg
VCATC	L103223	Mink/Pine	7-12	Mink/Pine	7-12	50	90	0.20kg
VCATC	L103333	Hare/Oak	9-15	Hare/Oak	9-15	50	90	0.21kg

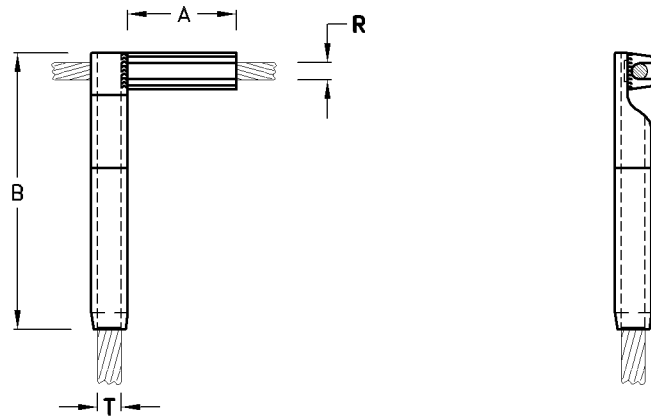
- Note:** 1) Use Bimetal 4E-4 Way indent crimper.  
 2) Other conductor sizes are available on request.  
 3) Material: Extruded Aluminium.

## Copper Non-Tension Angle Tap Compression Joint

Type No	Catalogue No.	Cond. (R) mm <sup>2</sup>	Dia.	Cond. (T) mm <sup>2</sup>	Dia.	A	B	Unit Weight
VCCAT 1:1	L203113	25	6.4	25	6.4	50	90	0.14kg
VCCAT 1:2	L203213	35/70	7.5-10.9	25	6.4	50	90	0.16kg
VCCAT 1:3	L203303	35	7.5	35	7.5	50	90	0.18kg
VCCAT 1:4	L203313	70	10.9	25	6.4	50	90	0.17kg

- Note:** 1) Use Bimetal 4E-4 Way indent crimper.  
 2) Other conductor sizes are available on request.  
 3) Material: Extruded Copper, Annealed.

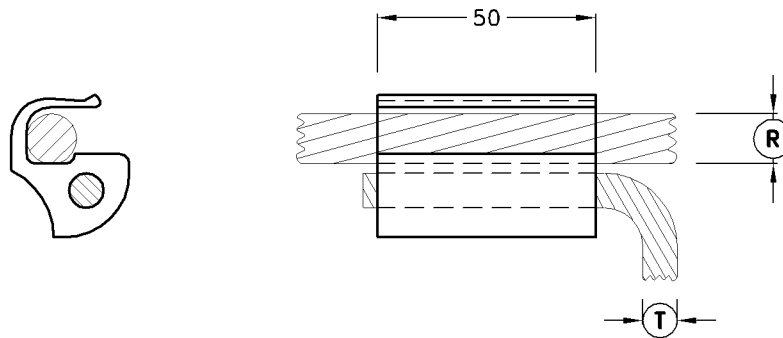




## Bi-Metal Non Tension Angle Tap Compression Joint Medium Voltage

Type No	Catalogue No.	Cond. Cu Ⓡ mm <sup>2</sup>	Dia.	Cond. Cu Ⓣ mm <sup>2</sup>	Dia.	A	B	Unit Weight
VCCAT	L203703	25/70	6.4-10.9	Squirrel	6.33	50	130	0.14kg
VCCAT	L203713	25/70	6.4-10.9	Fox/Fir	8.38	50	130	0.16kg
VCCAT	L203723	25/70	6.4-10.9	Mink/Pine	10.9	50	130	0.18kg
VCCAT	L203733	25/70	6.4-10.9	Hare/Oak	14.1	50	130	0.17kg

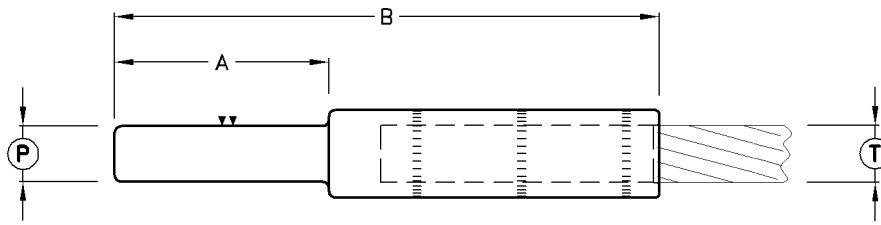
- Note:** 1) Use Bimetal 4E- 4 Way indent crimper.  
 2) Other conductor sizes are available on request.  
 3) Material: Extruded Aluminium.  
           : Extruded Copper, Annealed.



## Aluminium "C" Connectors-Non Tension Compression Tap Joint Medium Voltage

Type No	Catalogue No.	Cond. Cu Ⓡ mm <sup>2</sup>	Dia.	Cond. Cu Ⓣ mm <sup>2</sup>	Dia.	Unit Weight
VCC	L109103	Fox/Fir	6-8	Squirrel	6.3	0.05kg
VCC	L109113	Fox/Fir	6-8	Fox/Fir	6-8	0.05kg
VCC	L109203	Mink/Pine	7-12	Squirrel	6.3	0.05kg
VCC	L109213	Mink/Pine	7-12	Fox/Fir	6-8	0.05kg
VCC	L109223	Mink/Pine	7-12	Mink/Pine	7-12	0.05kg

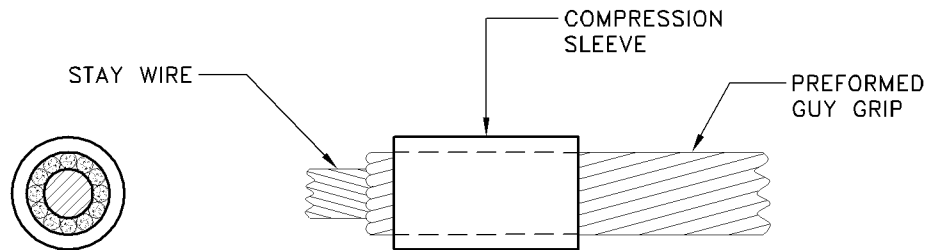
- Note:** 1) Material: Extruded Aluminium.



## Pin Connectors Non-Tension Joint To Be Used With 4 Way Indent Crimper Bi-Metal 4E

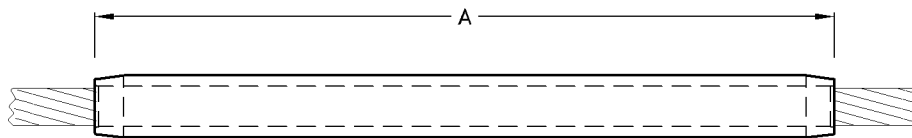
Type No	Catalogue No.	Pin Dia. (P) mm	Cond. (T)	Dia.	A	B	Unit Weight
VCPC	L492002	18	Hare	9-15	60	130	0.14kg
VCPC	L492012	10	Fox/Fir	4.5-9	60	130	0.16kg
VCPC	L492022	10	Mink/Pine	7-12	60	130	0.18kg

- Note:** 1) Compression tubes are marked showing conductor and pin size, and crimp positions.  
 2) Other conductor and pin sizes are available on request.  
 3) Material: Extruded Aluminium.



## Stay Wire Compression Sleeve

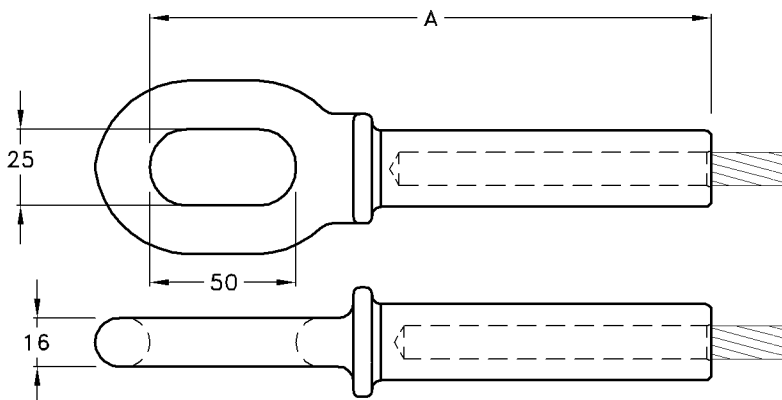
- Note:** 1) Compression tubes are supplied in 1 piece for new installations, or split for existing assembled stay assemblies.  
 2) Outside diameter of preformed unit when fitted to stay wire, is to be specified when ordering.  
 3) Material: Extruded Aluminium.



## Full Tension Compression Joint For Steel Earth Wire Conductors

Dia.	Stranding Numbers & Dia.	Catalogue No.	A	A/F	Alcan Die	UTS Cond.	Unit Weight
						kN	
6.36	7/2.12mm	L330612	180	10.1	DS7	32.47	0.16kg
7.00	7/2.33mm	L330622	180	12.7	DS8	40.71	0.28kg
7.92	7/2.64mm	L330122	180	12.7	DS8	52.39	0.42kg
8.75	3/4mm	L330112	240	15.2	DS9	52.23	0.42kg
8.84	7/2.95mm	L330632	240	15.2	DS9	66.70	0.42kg
9.00	7/3.00mm	L330502	240	16.1	DS10	67.70	0.42kg
9.75	7/3.25mm	L330202	240	16.1	DS10	79.46	0.44kg
10.0	19/2.0mm	L330642	240	16.1	DS10	80.80	0.50kg
10.05	7/3.35mm	L330102	240	16.1	DS10	79.04	0.45kg
11.0	19/2.2mm	L330652	240	16.1	DS10	97.77	0.54kg
12.0	7/4.0mm	L330002	260	20.2	DS12	124.0	0.64kg
12.0	19/2.4mm	L330092	260	20.2	DS12	116.3	0.64kg

**Note:** 1) Other conductor sizes are available on request.  
2) Material: D.F.Steel H.D.G.



## Compression Dead Ends For Steel Earth Wire

Dia.	Stranding Numbers & Dia.	Catalogue No.	A	A/F	Alcan Die	UTS Cond.	Unit Weight
						kN	
6.09	7/2.03mm	L340052	180	12.7	DS8	30.90	1.16kg
7.92	7/2.64mm	L340072	195	12.7	DS8	52.39	1.28kg
12.0	7/4.0mm	L340062	214	20.2	DS12	124.0	1.42kg
12.00	19/2.4mm	L340092	214	20.2	DS12	140.7	1.43kg
13.25	19/2.65mm	L340082	214	20.2	DS12	140.7	1.43kg

**Note:** 1) Other conductor sizes are available on request.  
2) Material: D.F.Steel H.D.G.