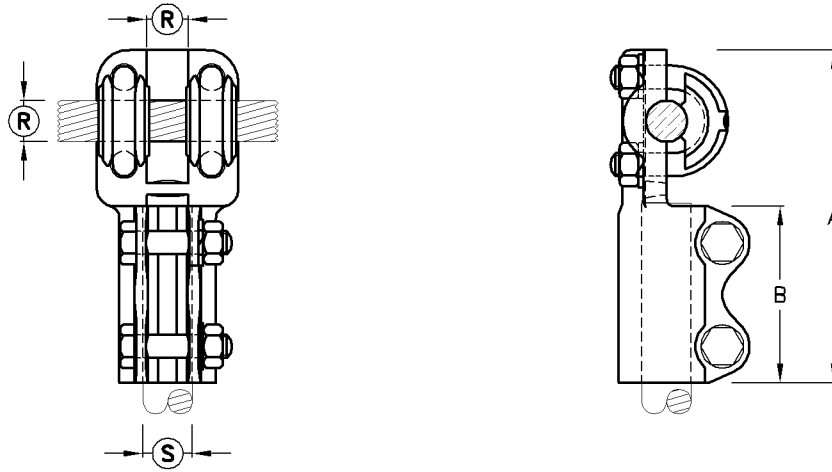




McWade
Productions

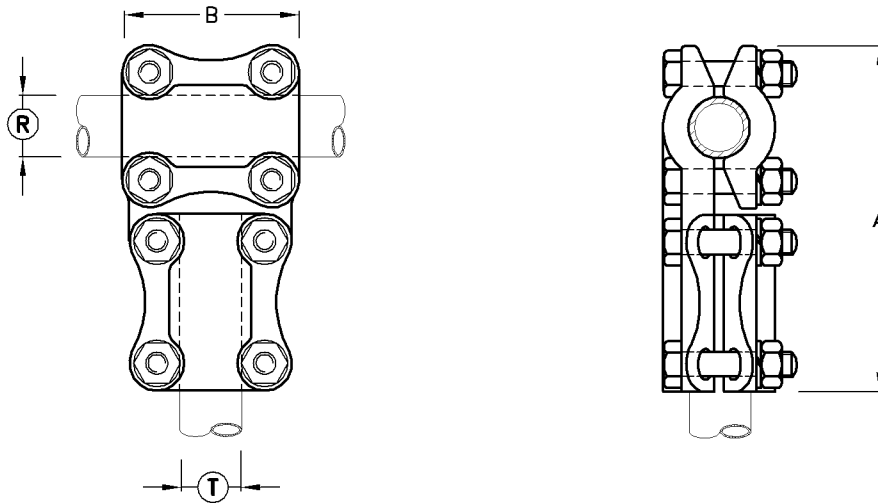
Bi-Metal Clamps
Catalogue



Horizontal To Vertical Stud Clamp For Stranded To Solid Conductor

Type No.	Catalogue No.	Conductor (R)		Stud (S)		A	B	Amprage Rating	Unit Weight
		Min.	Max.	Min.	Max.				
C-71064	C29053	12	19	12	18	140	70	750	0.85kg
C-71070	C29063	12	19	20	26	150	70	900	1.00kg
C-71072	C29073	22	28	18	22	162	74	750	1.15kg
C-71074	C29083	12	19	22	28	145	76	900	1.20kg
C-71076	C29093	22	28	26	26	162	74	900	1.25kg
C-71078	C29113	24	32	26	26	170	76	900	1.30kg
C-71079	C29123	32	40	26	30	165	76	950	1.35kg
C-71080	C29133	12	19	28	33	150	76	950	1.25kg
C-71082	C29143	22	28	30	30	165	80	950	1.30kg
C-71084	C29153	24	32	30	30	170	76	950	1.35kg
C-71086	C29163	12	19	32	50	165	85	1850	1.40kg
C-71088	C29173	22	28	38	38	175	85	1350	1.60kg
C-71090	C29183	24	32	38	38	166	76	1350	1.55kg
C-71092	C29193	32	40	38	38	166	76	1350	1.65kg

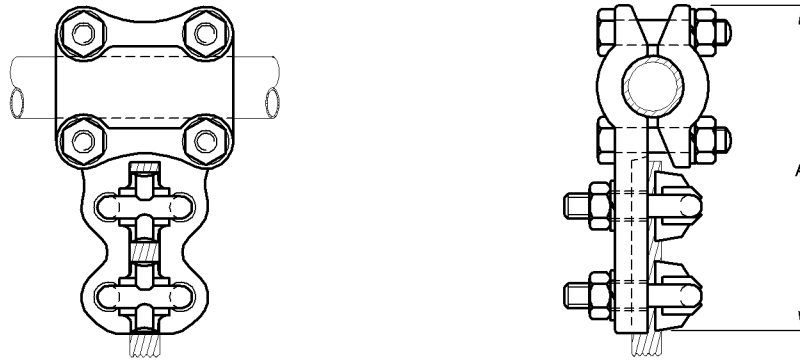
- Note:**
- 1) Conductor contact surface areas are cast to suit a range of conductor sizes.
 - 2) Stud contact surface areas are smooth bore.
 - 3) Material: GM3, hot tin dipped.
 : Bolts & Nuts-Steel HT.8.8 H.D.G.
 : U Bolts & Nuts-Steel H.D.G.
 - 4) Voltage : 150kV Max.



Tee-Clamp For Tubular Busbar

Type No.	Catalogue No	Busbar Ⓡ	Busbar Ⓣ	A	B	Amprage Rating	Unit Weight
C-71117	C29403	20	20	98	55	700	1.80kg
C-71118	C29413	25	25	165	67	900	2.10kg
C-71119	C29423	25	18	124	67	900	2.40kg
C-71120	C29433	30	30	147	70	1000	2.80kg
C-71121	C29443	38	20	140	97	1300	3.10kg
C-71122	C29453	38	28	180	90	1300	3.20kg
C-71123	C29463	38	30	170	74	1300	3.30kg
C-71124	C29473	38	38	185	97	1300	3.60kg
C-71125	C29483	50	20	185	102	1750	3.90kg
C-71126	C29493	50	38	186	90	1750	4.00kg
C-71127	C29503	50	50	156	100	1750	4.20kg
C-71128	C29513	64	20	197	92	2150	4.80kg
C-71129	C29523	64	25	183	66	2150	4.90kg
C-71130	C29533	64	38	221	96	2150	5.10kg
C-71132	C29543	64	50	215	116	2150	5.30kg
C-71134	C29553	64	64	215	116	2150	5.50kg
C-71140	C29563	76	30/38	215	85	2500	5.80kg

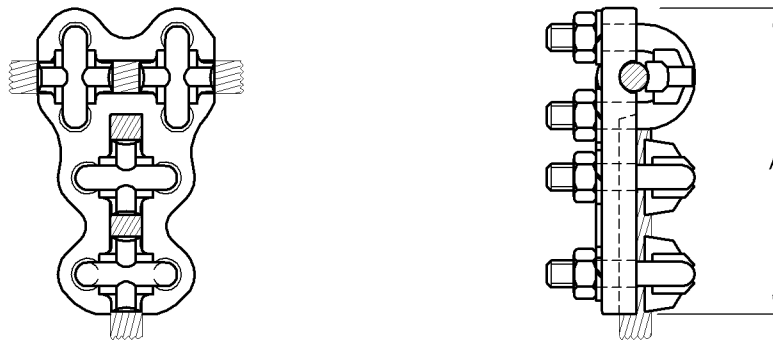
- Note:**
- 1) Busbar and Stud contact surface areas are smooth bore.
 - 2) Material: GM3, hot tin dipped.
: Bolts & Nuts-Steel HT.8.8 H.D.G.
 - 3) Voltage: 150kV Max.



Horizontal To Vertical Clamp For Busbar To Stranded Conductor

Type No.	Catalogue No.	Bus Tube Ⓜ	Conductor Ⓣ		A	B	Amprage Rating	Unit Weight
			Min.	Max.				
C-71118/C	C29203	25	25	25	105	62	900	1.20kg
C-71119/C	C29213	25	12	19	105	62	900	1.40kg
C-71120/C	C29223	32	32	32	125	70	1000	1.60kg
C-71121/C	C29233	38	12	19	125	70	1300	1.80kg
C-71123/C	C29243	38	24	32	135	70	1300	2.10kg
C-71124/C	C29253	38	38	38	160	75	1300	2.70kg
C-71125/C	C29263	50	12	19	160	75	1750	3.00kg
C-71126/C	C29273	50	38	38	160	75	1750	3.30kg
C-71127/C	C29283	50	50	50	160	75	1750	1.90kg
C-71128/C	C29293	64	12	19	160	75	2150	1.90kg
C-71129/C	C29333	64	25	25	180	86	2150	2.40kg
C-71130/C	C29343	64	32	40	200	86	2150	2.40kg

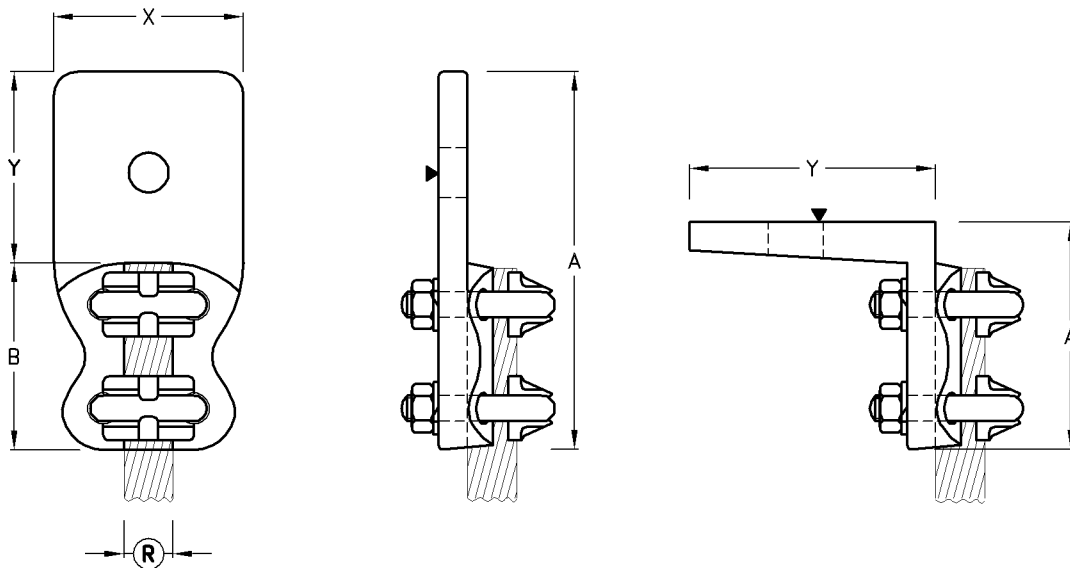
- Note:**
- 1) Conductor contact surface areas are cast to suit a range of conductors.
 - 2) Busbar contact surface areas are smooth bore.
 - 3) Material: GM3, hot tin dipped.
 - : Bolts & Nuts—Steel HT.8.8 H.D.G.
 - : U Bolts & Nuts—Steel H.D.G.
 - 4) Voltage : 150kV Max.



Horizontal To Vertical Clamp For Stranded Conductor

Type No.	Catalogue No.	Conductor (R)		Conductor (T)		A	B	Amprage Rating	Unit Weight
		Min.	Max.	Min.	Max.				
C-71160	C29353	6	12	6	12	115	66	450	1.70kg
C-71162	C29363	12	19	6	11	130	70	750	0.80kg
C-71164	C29373	12	19	12	19	120	60	750	1.00kg
C-71166	C29383	22	28	12	19	150	75	1100	1.10kg
C-71168	C29393	22	28	22	28	150	75	1100	1.30kg
C-71170	C27373	12	19	22	28	150	75	1100	1.30kg

- Note:** 1) Conductor contact surface areas are cast to suit a range of conductor sizes.
 2) Material: GM3, hot tin dipped.
 : U Bolts & Nuts-Steel H.D.G.
 3) Voltage: 150kV Max.



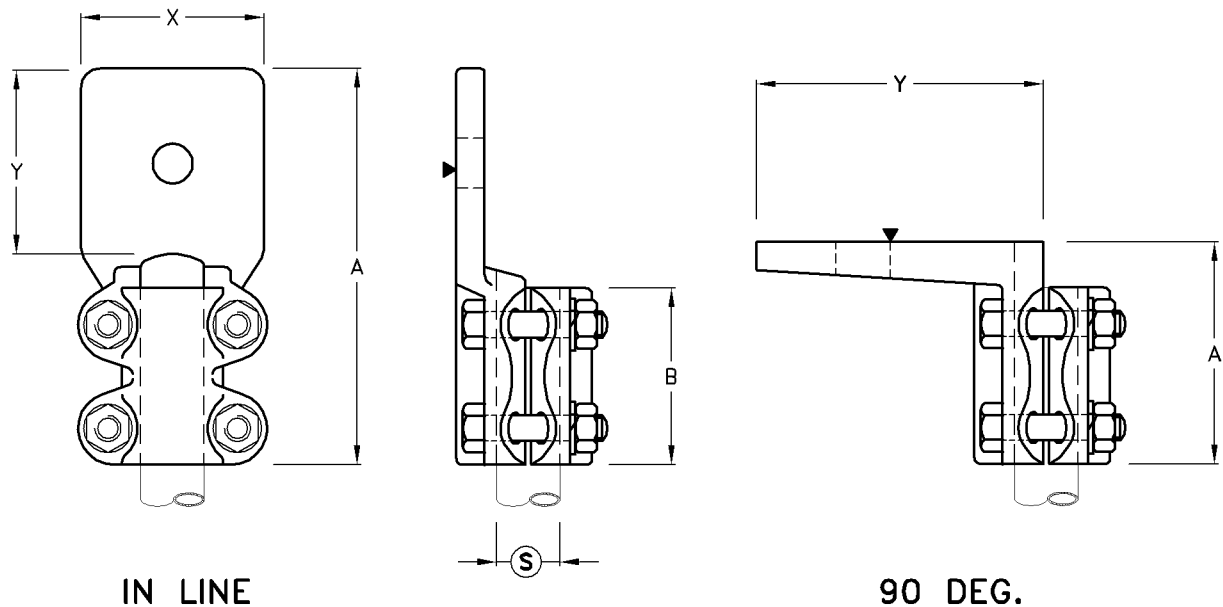
IN LINE

90 DEG.

Terminal Lug For Stranded Conductor

Type No.	Catalogue No.	Conductor $\text{\textcircled{R}}$		Palm Size		A	B	Amprage Rating	Unit Weight
		Min.	Max.	X	Y				
C-71430	C29923	8	13	40	50	110	65	450	1.00kg
C-71430/9	C29923/9	8	13	40	60	90	65	450	1.00kg
C-71431	C29933	8	13	50	65	120	65	450	1.20kg
C-71431/9	C29933/9	8	13	50	75	90	65	450	1.20kg
C-71432	C29943	12	19	75	75	145	70	750	1.40kg
C-71432/9	C29943/9	12	19	75	85	90	70	750	1.40kg
C-71433	C29953	12	19	100	100	170	70	750	1.60kg
C-71433/9	C29953/9	12	19	100	110	90	70	750	1.60kg
C-71434	C29963	22	28	75	75	150	75	1100	1.50kg
C-71434/9	C29963/9	22	28	75	85	95	75	1100	1.50kg
C-71435	C29973	22	28	100	100	175	75	1100	1.70kg
C-71435/9	C29973/9	22	28	100	110	95	75	1100	1.70kg
C-71436	C29983	30	38	75	75	155	80	1350	1.60kg
C-71436/9	C29983/9	30	38	75	85	95	80	1350	1.60kg
C-71437	C29993	30	38	100	100	180	80	1350	1.90kg
C-71437/9	C29993/9	30	38	100	110	95	80	1350	1.90kg

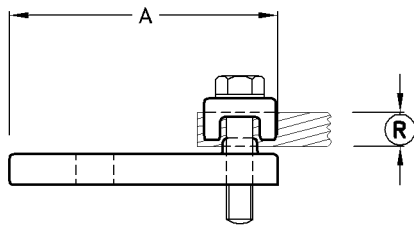
- Note:**
- 1) Clamps are supplied in-line or 90°
 - 2) Conductor contact surface areas are cast to suit a range of conductors.
 - 3) Palms may be supplied undrilled or drilled to specified requirements.
 - 4) Material: GM3, hot tin dipped.
: U Bolts & Nuts-Steel H.D.G.
 - 5) Voltage : 150kV Max.



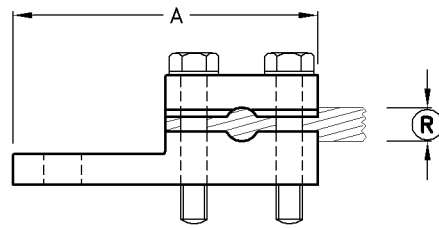
Terminal Lug For Tubular Busbar

Type No.	Catalogue No.	Bus Tube Ⓢ	Palm Size		A	B	Amprage Rating	Unit Weight
			X	Y				
C-71410	C29843	20	50	75	145	60	700	1.30kg
C-71410/9	C29843/9	20	50	85	90	60	700	1.30kg
C-71412	C29853	25	75	75	150	60	900	1.60kg
C-71412/9	C29853/9	25	75	85	90	60	900	1.60kg
C-71414	C29863	32	75	75	151	60	1000	1.80kg
C-71414/9	C29863/9	32	75	85	90	60	1000	1.80kg
C-71416	C29873	38	100	100	185	82	1300	2.10kg
C-71416/9	C29873/9	38	100	105	90	85	1300	2.10kg
C-71417	C29883	38	75	75	170	82	1300	1.90kg
C-71417/9	C29883/9	38	75	85	90	85	1300	1.90kg
C-71420	C29893	50	100	100	183	83	1750	2.40kg
C-71420/9	C29893/9	50	100	110	90	93	1750	2.40kg
C-71421	C29903	64	100	100	195	95	2150	2.80kg
C-71421/9	C29903/9	64	100	110	125	95	2150	2.80kg
C-71422	C29913	76	100	100	205	105	2500	3.20kg
C-71422/9	C29913/9	76	100	110	125	105	2500	3.20kg

- Note:**
- 1) Clamps are supplied in-line or 90°
 - 2) Clamps are machined to specified busbar sizes.
 - 3) Palms may be supplied undrilled or drilled to specified requirements.
 - 4) Material: GM3, hot tin dipped.
 - 5) Voltage : 150kV Max.

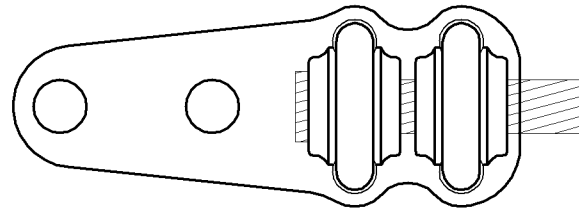
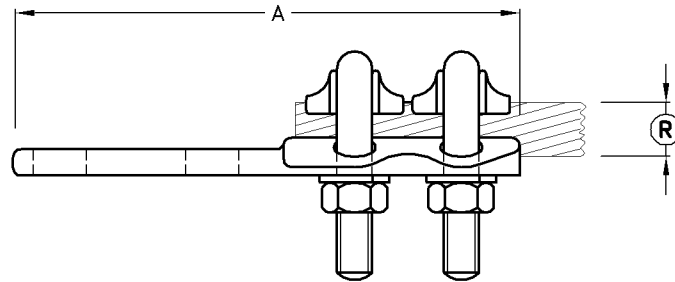


C1000



C1001/1002

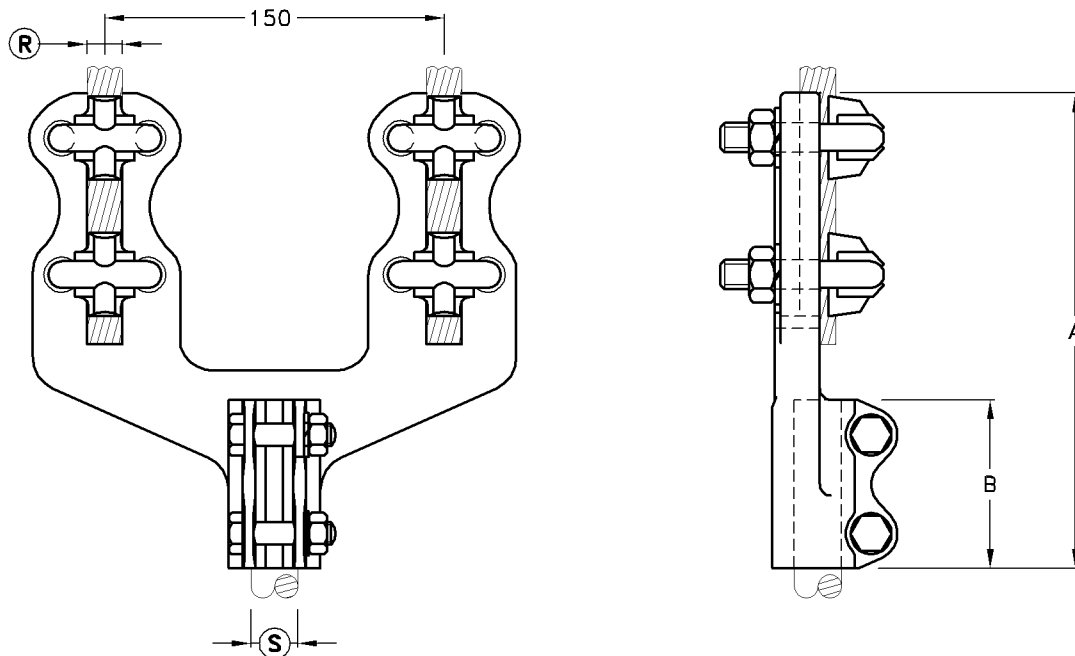
Type No.	Catalogue No.	Conductor (R)		A	B	Amprage Rating	Unit Weight
		Min.	Max.				
C-1000	C29003	8	13	70	45	450	0.40kg
C-1001	C29013	7	13	80	40	450	0.50kg
C-1002	C29023	11	16	105	40	600	0.70kg



Terminal Lugs

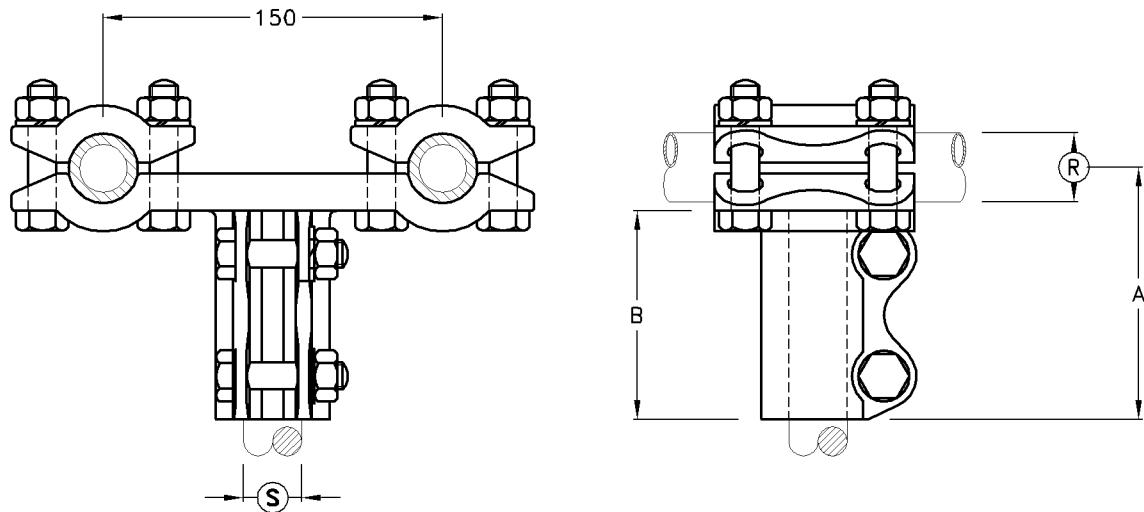
Type No.	Catalogue No.	Conductor (R)		A	B	Amprage Rating	Unit Weight
		Min.	Max.				
C-1003	C29033	8	14	116	60	500	0.80kg
C-1004	C29043	12	20	116	60	800	1.00kg

- Note:**
- 1) Terminal lugs are cast to suit a range of conductor sizes.
 - 2) C1000/1/2 are fitted with cadmium plated bolts.
 - 3) C1000/1/2 are supplied drilled with Dia. 10 holes.
 - 4) C1003/4 are supplied drilled with Dia. 13 holes.
 - 5) Palms may be supplied undrilled or drilled to suit requirements.
 - 6) Material: GM3, hot tin dipped.
 - 7) Voltage : 150kV Max.



**Twin Vertical Tap-off Clamp
For Stranded Conductor**

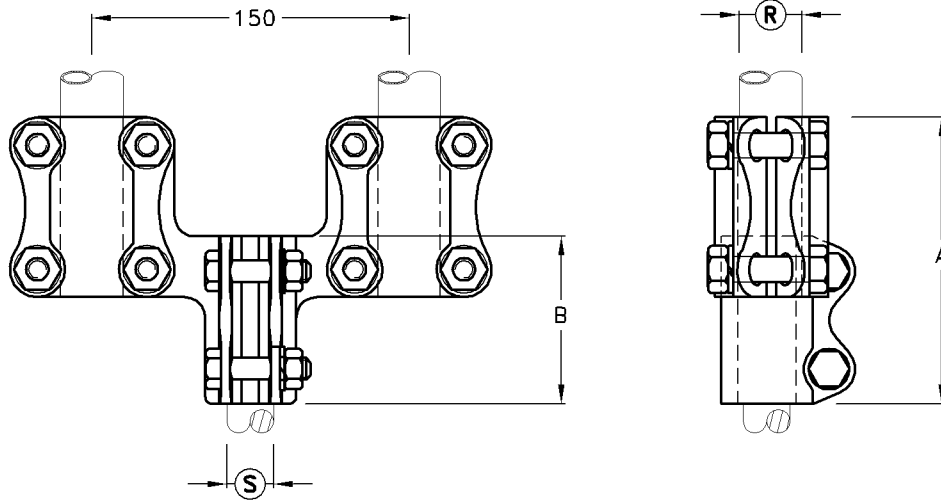
Type No.	Catalogue No	Conductor Ⓡ	Stud Ⓢ	A	B	Amprage Rating	Unit Weight
C-1012	C28843	26-38	26	215	64	1350	4.50kg



**Twin Horizontal Tap-off Clamp
For Tubular Busbar**

Type No.	Catalogue No	Busbar Ⓡ	Stud Ⓢ	A	B	Amprage Rating	Unit Weight
C-1013	C28863	26-38	26	90	64	1350	5.50kg

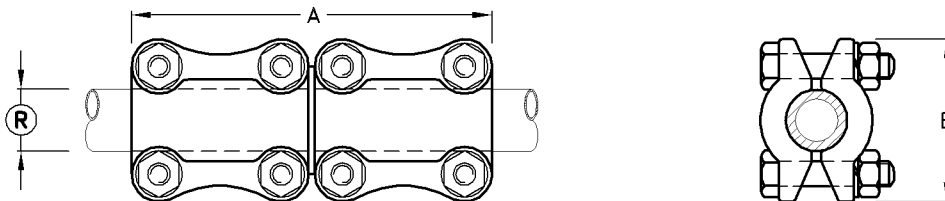
- Note:**
- 1) Conductor contact surface areas are cast to specified sizes.
 - 2) Busbar/Stud contact surface areas are smooth bore.
 - 3) Material: GM3, hot tin dipped.
 : Bolts & Nuts-Steel HT.8.8 H.D.G.
 : U Bolts & Nuts-Steel H.D.G.
 - 4) Voltage : 150kV Max.



Twin Horizontal Tap-off Clamp For Tubular Busbar

Type No.	Catalogue No	Busbar Ⓡ	Stud Ⓢ	A	B	Amprage Rating	Unit Weight
C-1014	C28853	26-38	26	115	64	1350	4.30kg

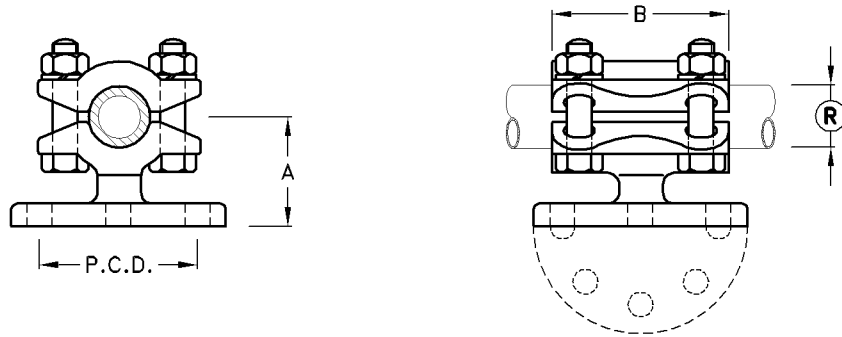
- Note:**
- 1) Busbar and stud contact surface areas are smooth bore.
 - 2) Other busbar and stud sizes available on request.
 - 3) Material: GM3, hot tin dipped.
: Bolts & Nuts-Steel HT.8.8 H.D.G.
 - 4) Voltage: 150kV



In-Line Coupler For Tubular Busbar

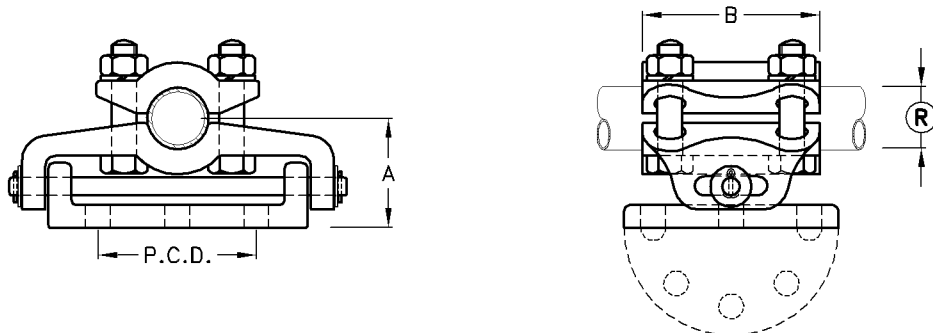
Type No.	Catalogue No	Bus Tube Dia Ⓡ	A	B	Amprage Rating	Unit Weight
C-71282	C29763	25	135	64	900	3.20kg
C-71286	C29773	38	175	85	1300	4.40kg
C-71290	C29783	50	195	95	1750	6.00kg
C-71292	C28353	64	235	115	2150	7.20kg
C-71294	C29793	76	260	127	2500	8.50kg

- Note:**
- 1) In-line coupler contact surface areas are smooth bore.
 - 2) Material: GM3, hot tin dipped
: Bolts & Nuts-Steel HT.8.8 H.D.G.
 - 3) Voltage: 150kV Max.



Fixed Support Clamp For Tubular Busbar

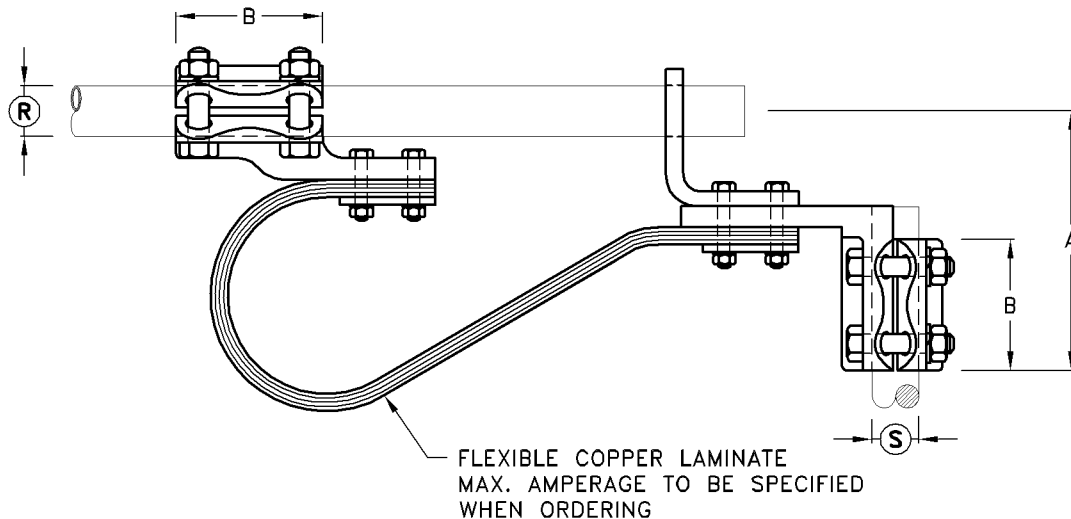
Type No	Catalogue No	Busbar Ⓜ	A	B	P.C.D.	Unit Weight
C-71200	C29573	12	TO SUIT	64	76	2.50kg
C-71201	C29583	20	TO SUIT	64	76	2.40kg
C-71202	C29593	25	TO SUIT	64	76	2.10kg
C-71204	C29603	38	TO SUIT	64	76	2.60kg
C-71206	C29613	38	TO SUIT	64	127	3.40kg
C-71208	C29623	50	TO SUIT	64	76	4.00kg
C-71210	C29633	50	TO SUIT	64	127	4.80kg
C-71212	C29643	64	TO SUIT	76	76	5.20kg
C-71214	C29653	64	TO SUIT	76	127	6.00kg
C-71216	C29663	76	TO SUIT	76	76	6.80kg
C-71218	C29673	76	TO SUIT	76	127	8.00kg



Slider Support Clamp For Tubular Busbar

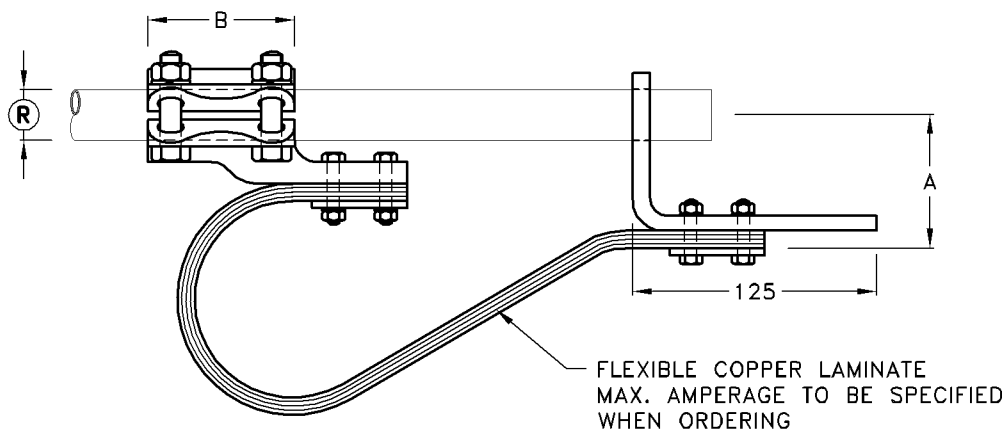
Type No.	Catalogue No.	Busbar Ⓜ	A	B	P.C.D.	Unit Weight
C-71230	C29683	38	75	64	76	3.80kg
C-71232	C29693	38	75	64	127	4.60kg
C-71234	C29703	50	75	64	76	5.70kg
C-71236	C29713	50	75	64	127	6.50kg
C-71238	C29723	64	75	76	76	6.80kg
C-71240	C29733	64	75	76	127	7.60kg
C-71242	C29743	76	75	76	76	8.20kg
C-71244	C29753	76	75	76	127	9.00kg

- Note:**
- 1) Busbar contact surface areas are smooth bore.
 - 2) Material: GM3, hot tin dipped.
: Bolts & Nuts-Steel HT.8.8 H.D.G.
 - 3) Voltage: 150kV Max.



CBHXS/9-90° Half Expansion Clamp

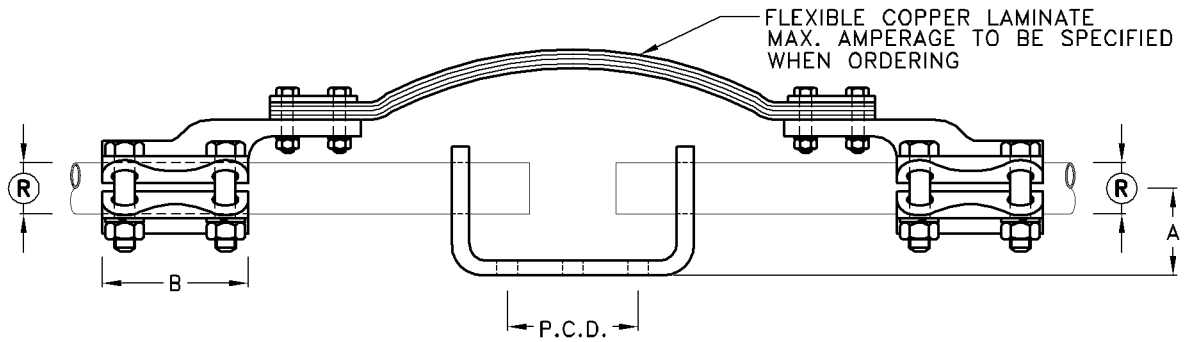
Type No.	Catalogue No	Busbar Ⓡ	Stud Ⓢ	A	B	Unit Weight
CBHXS/9-25	C27383	25	To Suit	To Suit	64	Varies
CBHXS/9-38	C27393	38	To Suit	To Suit	64	Varies
CBHXS/9-50	C27403	50	To Suit	To Suit	64	Varies
CBHXS/9-64	C27413	64	To Suit	To Suit	76	Varies
CBHXS/9-76	C27423	76	To Suit	To Suit	76	Varies



CBHXP-Pad Half Expansion Clamp

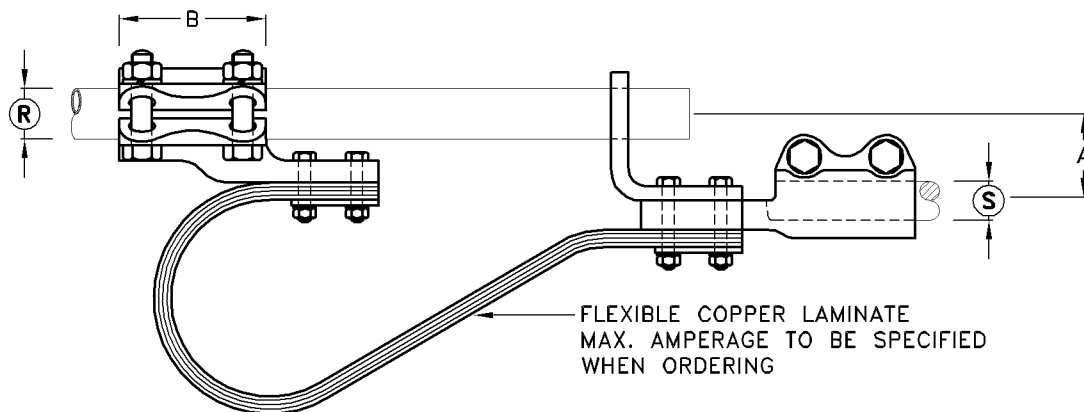
Type No.	Catalogue No	Busbar Ⓡ	A	B	Unit Weight
CBHXP-25	C27303	25	To Suit	64	Varies
CBHXP-38	C27313	38	To Suit	64	Varies
CBHXP-50	C27323	50	To Suit	64	Varies
CBHXP-64	C27333	64	To Suit	76	Varies
CBHXP-76	C27343	76	To Suit	76	Varies

- Note:**
- 1) Busbar contact surface areas are smooth bore.
 - 2) Current rating to be specified when ordering. 1250A; 1600A; 2500A.
 - 3) Material: GM3, hot tin dipped.
: Bolts & Nuts-Steel HT.8.8 H.D.G.
 - 4) Voltage: 150kV Max.



CBFX-Full In-line Expansion Clamp

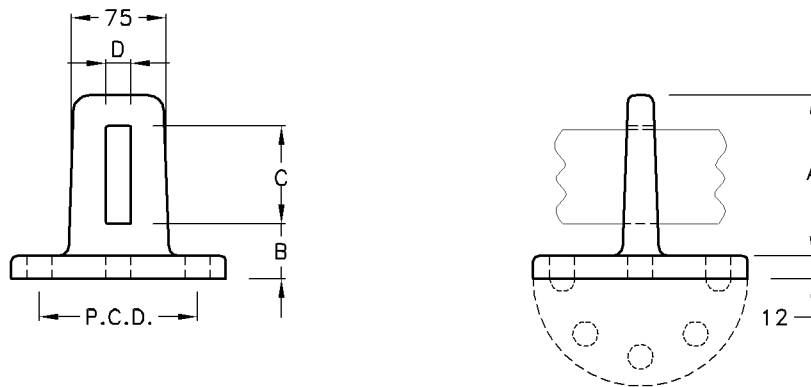
Type No.	Catalogue No	Busbar Ⓡ	A	B	P.C.D.	Unit Weight
CBFX-25	C27203	25	To Suit	64	76/127	Varies
CBFX-38	C27213	38	To Suit	64	76/127	Varies
CBFX-50	C27223	50	To Suit	64	76/127	Varies
CBFX-64	C27233	64	To Suit	76	76/127	Varies
CBFX-76	C27243	76	To Suit	76	76/127	Varies



CBHXS-Half Off-Set Expansion Clamp

Type No.	Catalogue No	Busbar Ⓡ	Stud Ⓢ	A	B	Max. Rating Amps	Unit Weight
CBHXS-25/S	C27253	25	To Suit	To Suit	64	250	Varies
CBHXS-38/S	C27263	38	To Suit	To Suit	64	250	Varies
CBHXS-50/S	C27273	50	To Suit	To Suit	64	250	Varies
CBHXS-64/S	C27283	64	To Suit	To Suit	76	250	Varies
CBHXS-76/S	C27293	76	To Suit	To Suit	76	250	Varies

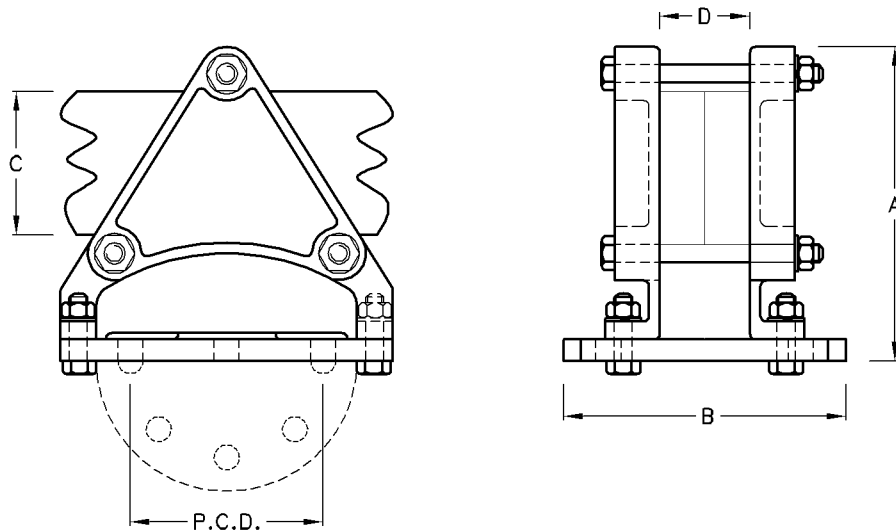
- Note:**
- 1) Busbar conductor surface areas are smooth bore.
 - 2) Current rating to be specified when ordering. 1250A; 1600A; 2500A.
 - 3) Material: GM3, hot tin dipped.
: Bolts & Nuts-Steel HT.8.8 H.D.G.
 - 4) Voltage: 150kV Max.



SCC-Type Slider Support Clamp For Flat Busbar

Type No	Catalogue No	A	B	C	D	P.C.D.	Unit Weight
SCC/76	C28763	130	To Suit	To Suit	To Suit	76	2.40kg
SCC/127	C28773	150	To Suit	To Suit	To Suit	127	3.20kg

- Note:** 1) Busbar size and relevant dimensions to be specified.
 2) Material: GM3, hot tin dipped.
 : Bolts & Nuts-Steel HT.8.8 H.D.G.
 3) Voltage: 150kV Max.



Expandable Support For Flat Busbar

Type No.	Catalogue No	Flat Busbar C	A	B	Max. Width D	P.C.D.	Unit Weight
C-1015/4-T	C29803	100	160	185	60	76-127	6.60kg
C-1015/4-S	C29813	100	160	185	60	76-127	6.90kg
C-1016/4-T	C29823	150	210	185	60	76-127	7.40kg
C-1016/4-S	C29833	150	210	115	60	76-127	7.90kg

- Note:** 1) Busbar contact surface areas are serrated.
 2) Material: GM3, hot tin dipped
 : Bolts & Nuts-Steel HT.8.8 H.D.G.
 3) Voltage: 150kV Max.