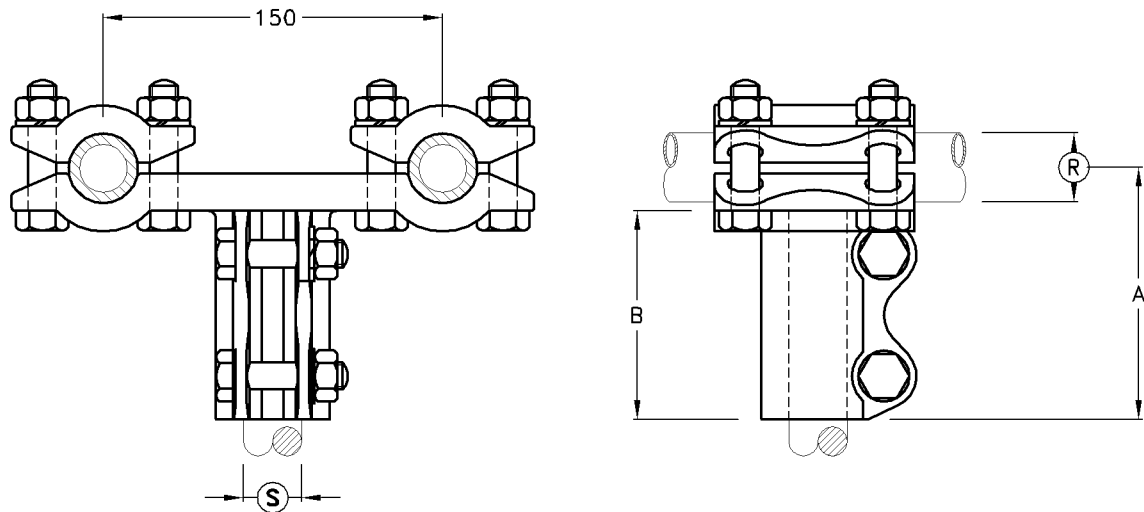


**Twin Vertical Tap-off Clamp  
For Stranded Conductor**

Type No.	Catalogue No	Conductor Ⓡ	Stud Ⓢ	A	B	Amprage Rating	Unit Weight
C-1012	C28843	26-38	26	215	64	1350	4.50kg



**Twin Horizontal Tap-off Clamp  
For Tubular Busbar**

Type No.	Catalogue No	Busbar Ⓡ	Stud Ⓢ	A	B	Amprage Rating	Unit Weight
C-1013	C28863	26-38	26	90	64	1350	5.50kg

- Note:**
- 1) Conductor contact surface areas are cast to specified sizes.
  - 2) Busbar/Stud contact surface areas are smooth bore.
  - 3) Material: GM3, hot tin dipped.  
     : Bolts & Nuts-Steel HT.8.8 H.D.G.  
     : U Bolts & Nuts-Steel H.D.G.
  - 4) Voltage : 150kV Max.