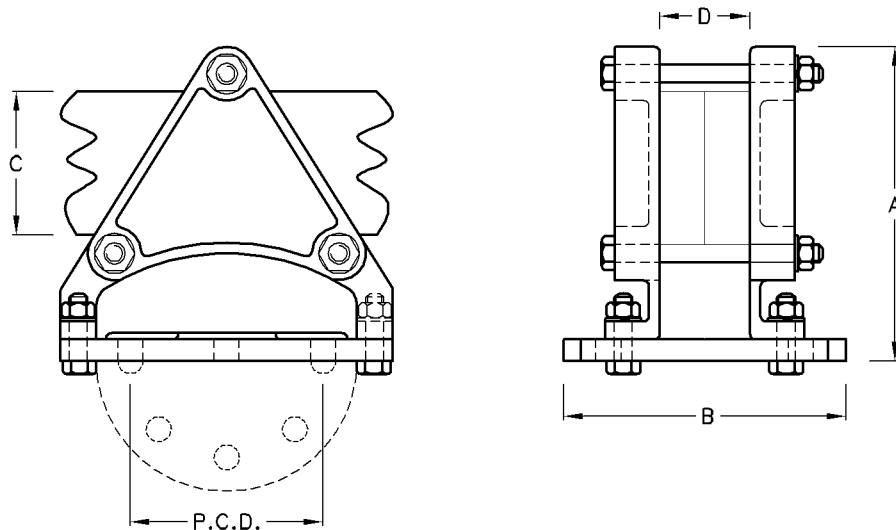


SCC-Type Slider Support Clamp For Flat Busbar

Type No	Catalogue No	A	B	C	D	P.C.D.	Unit Weight
SCC/76	C28763	130	To Suit	To Suit	To Suit	76	2.40kg
SCC/127	C28773	150	To Suit	To Suit	To Suit	127	3.20kg

- Note:** 1) Busbar size and relevant dimensions to be specified.
 2) Material: GM3, hot tin dipped.
 : Bolts & Nuts-Steel HT.8.8 H.D.G.
 3) Voltage: 150kV Max.



Expandable Support For Flat Busbar

Type No.	Catalogue No	Flat Busbar C	A	B	Max. Width D	P.C.D.	Unit Weight
C-1015/4-T	C29803	100	160	185	60	76-127	6.60kg
C-1015/4-S	C29813	100	160	185	60	76-127	6.90kg
C-1016/4-T	C29823	150	210	185	60	76-127	7.40kg
C-1016/4-S	C29833	150	210	115	60	76-127	7.90kg

- Note:** 1) Busbar contact surface areas are serrated.
 2) Material: GM3, hot tin dipped
 : Bolts & Nuts-Steel HT.8.8 H.D.G.
 3) Voltage: 150kV Max.