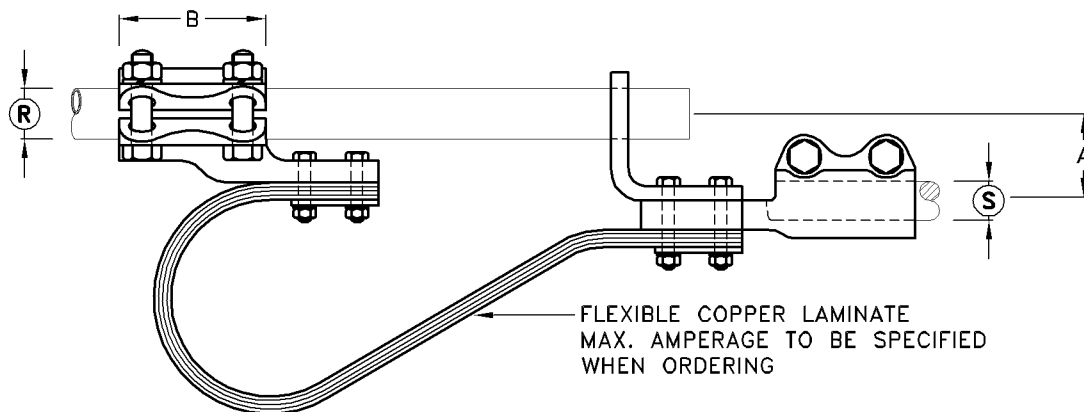


CBFX-Full In-line Expansion Clamp

Type No.	Catalogue No	Busbar Ⓡ	A	B	P.C.D.	Unit Weight
CBFX-25	C27203	25	To Suit	64	76/127	Varies
CBFX-38	C27213	38	To Suit	64	76/127	Varies
CBFX-50	C27223	50	To Suit	64	76/127	Varies
CBFX-64	C27233	64	To Suit	76	76/127	Varies
CBFX-76	C27243	76	To Suit	76	76/127	Varies



CBHXS-Half Off-Set Expansion Clamp

Type No.	Catalogue No	Busbar Ⓡ	Stud Ⓢ	A	B	Max. Rating Amps	Unit Weight
CBHXS-25/S	C27253	25	To Suit	To Suit	64	250	Varies
CBHXS-38/S	C27263	38	To Suit	To Suit	64	250	Varies
CBHXS-50/S	C27273	50	To Suit	To Suit	64	250	Varies
CBHXS-64/S	C27283	64	To Suit	To Suit	76	250	Varies
CBHXS-76/S	C27293	76	To Suit	To Suit	76	250	Varies

- Note:**
- 1) Busbar conductor surface areas are smooth bore.
 - 2) Current rating to be specified when ordering. 1250A; 1600A; 2500A.
 - 3) Material: GM3, hot tin dipped.
: Bolts & Nuts-Steel HT.8.8 H.D.G.
 - 4) Voltage: 150kV Max.