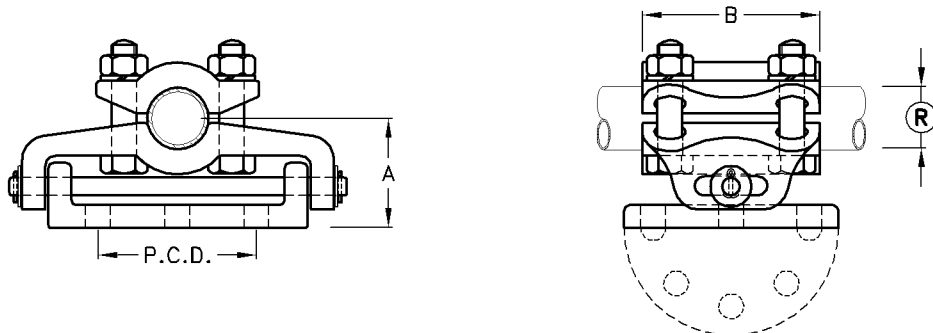


Fixed Support Clamp For Tubular Busbar

Type No	Catalogue No	Busbar Ⓜ	A	B	P.C.D.	Unit Weight
C-71200	C29573	12	TO SUIT	64	76	2.50kg
C-71201	C29583	20	TO SUIT	64	76	2.40kg
C-71202	C29593	25	TO SUIT	64	76	2.10kg
C-71204	C29603	38	TO SUIT	64	76	2.60kg
C-71206	C29613	38	TO SUIT	64	127	3.40kg
C-71208	C29623	50	TO SUIT	64	76	4.00kg
C-71210	C29633	50	TO SUIT	64	127	4.80kg
C-71212	C29643	64	TO SUIT	76	76	5.20kg
C-71214	C29653	64	TO SUIT	76	127	6.00kg
C-71216	C29663	76	TO SUIT	76	76	6.80kg
C-71218	C29673	76	TO SUIT	76	127	8.00kg



Slider Support Clamp For Tubular Busbar

Type No.	Catalogue No.	Busbar Ⓜ	A	B	P.C.D.	Unit Weight
C-71230	C29683	38	75	64	76	3.80kg
C-71232	C29693	38	75	64	127	4.60kg
C-71234	C29703	50	75	64	76	5.70kg
C-71236	C29713	50	75	64	127	6.50kg
C-71238	C29723	64	75	76	76	6.80kg
C-71240	C29733	64	75	76	127	7.60kg
C-71242	C29743	76	75	76	76	8.20kg
C-71244	C29753	76	75	76	127	9.00kg

- Note:**
- 1) Busbar contact surface areas are smooth bore.
 - 2) Material: GM3, hot tin dipped.
: Bolts & Nuts-Steel HT.8.8 H.D.G.
 - 3) Voltage: 150kV Max.