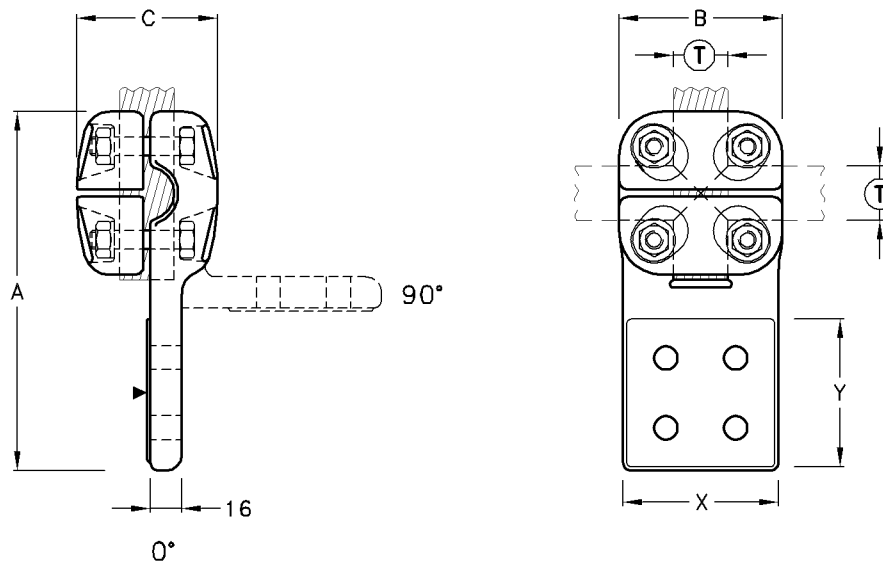


STP-Type Palm Clamp

Type No.	Catalogue No.	Cond. $\text{\textcircled{T}}$	Palm Size		Max. Rating Amps	A	B	C	Unit Weight
			X	Y					
STP-26	C21753	$\varnothing 26$	80	90	900	208	95	82	1.50kg
STP-38	C21773	$\varnothing 38$	80	90	1350	215	105	88	1.90kg



STP-Type Palm Clamp Palm 0° or 90°

Type No.	Catalogue No.	Cond. $\text{\textcircled{T}}$	Palm Size		Max. Rating Amps	A	B	C	Unit Weight
			X	Y					
STP-26/P	C21763	$\varnothing 26$	100	113	900	205	95	82	1.50kg
STP-38/P	C21783	$\varnothing 38$	100	113	1350	231	105	88	1.90kg

- Note:**
- 1) Conductor contact surface areas are serrated.
 - 2) Palm contact areas are machine serrated on either side on request.
 - 3) Palms may be supplied undrilled or drilled to suit requirements.
 - 4) Other conductor sizes available on request.
 - 5) Material: Cast Aluminium
: Bolts & Nuts—Steel HT.8.8 H.D.G.
 - 6) Voltage: 500kV Max.